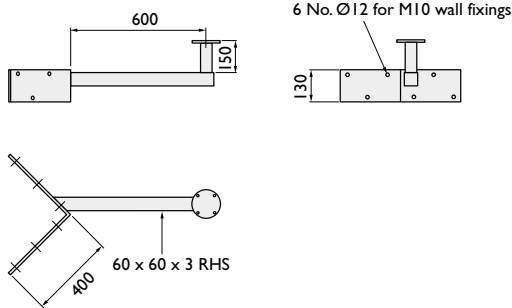


● Stock items

## Corner Wall Mounting Brackets

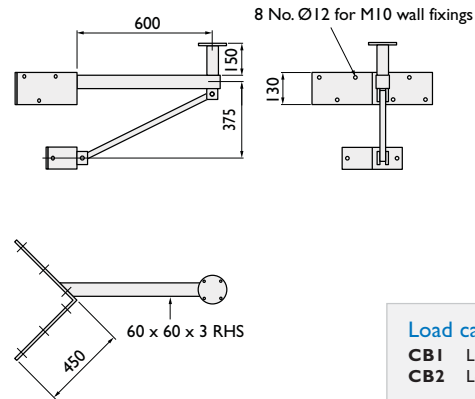
● **CBI**

Standard corner wall bracket



● **CB2**

Heavy duty corner wall bracket

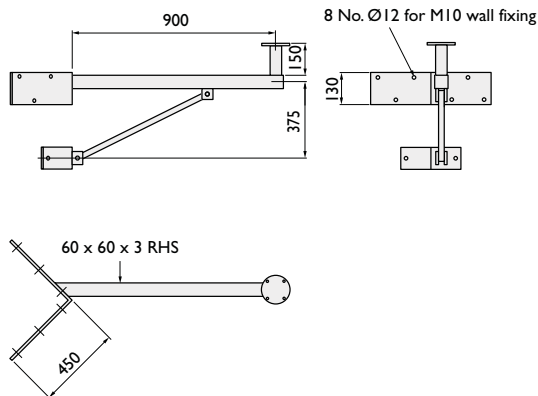


**Load capacities**

**CB1** Load capacity 25kgs  
**CB2** Load capacity 40kgs

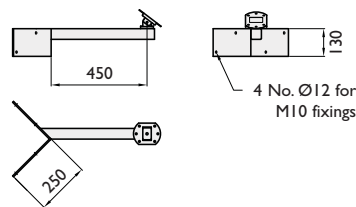
● **CB2-900**

Extended corner wall bracket



● **CBI-F**

Fixed camera corner wall bracket

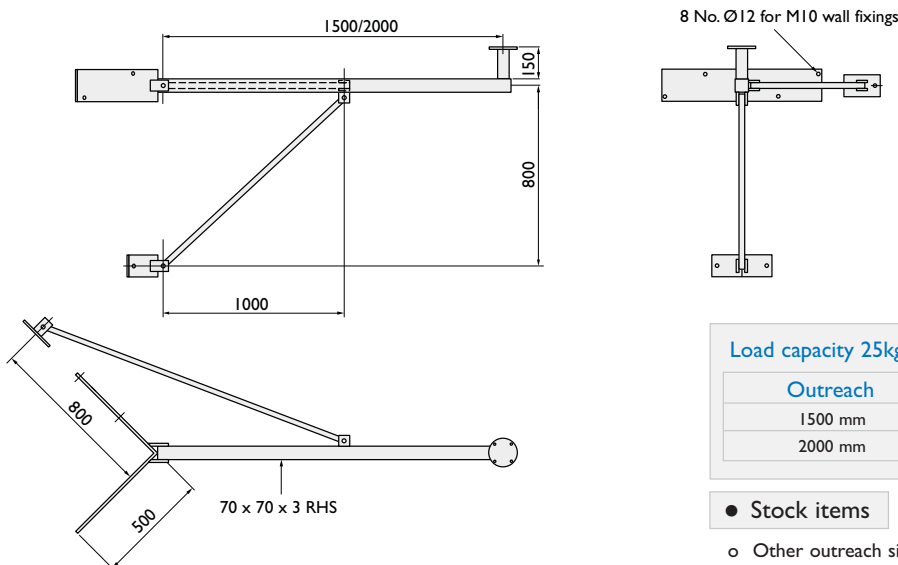


**Load capacities**

**CB2-900** Max load capacity 25kgs  
**CBI-F** Load capacity **PTS-I** 10kgs  
**HAS-I** 20kgs

**AW1705/C**

Extended corner wall bracket



**Load capacity 25kgs**

Outreach	Part No.
1500 mm	● <b>AW1705/1.5/C</b>
2000 mm	<b>AW1705/2/C</b>

● Stock items

- Other outreach sizes made to order
- Also available for dome mounting

All brackets for camera mounting have a Ø127 mounting plate with 8 no Ø8.5 equi - spaced on 101.6 PCD