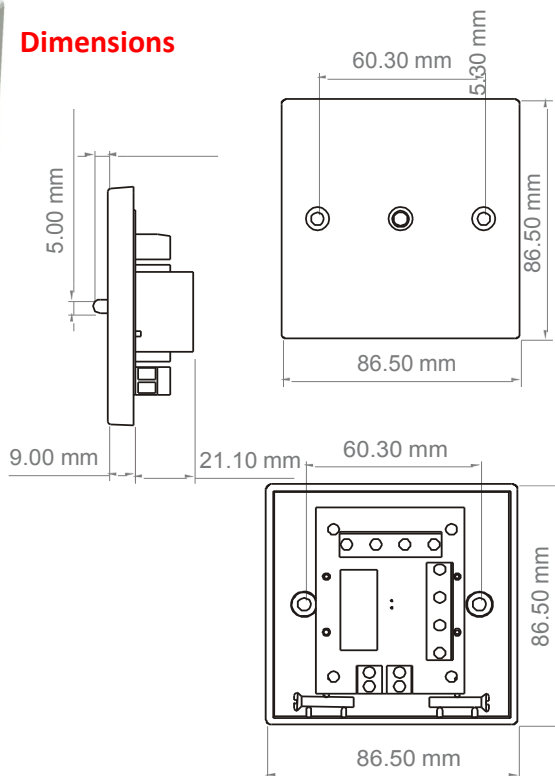


# Product Data Sheet: RIU Remote Indicator Unit



## Dimensions



## Description

The RIU range of remote indicator units are designed for fire detection systems requiring local indication of an individual or group of fire detectors in alarm utilising and LED with a wide area of illumination and high on/off contrast.

Using a single gang purpose designed moulding, the range operate with many types of conventional and analogue addressable fire detectors, frequently eliminating the requirements to stock two types of indicator.

They may also be used for other applications requiring a local visual indicator. Process control, security and shut down operations are typical environments where this indicator may be used.

The standard version is a square gang unit, with or without 'Fire Detector Operated' text, available with or without a deep back box. Also available is a circular version (RIU-06) without text and an enclosed weatherproof (RIU-02B-WP) version with text and back box.

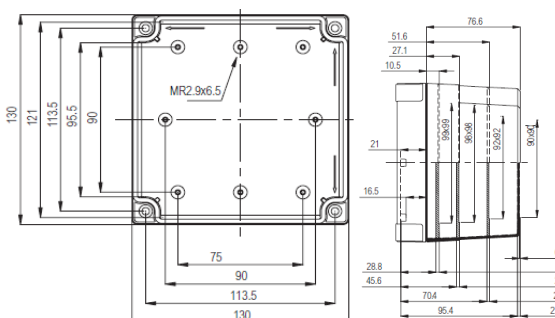
For text in other languages please consult our Sales Office.

## Technical Information

Part No.	RIU-01	RIU-01B	RIU-02	RIU-02B	RIU-06	RIU-02B-WP
Voltage Range:	5 - 28Vdc					
IP Rating:	IP42					IP66
Back Box:	NO	YES	NO	YES	NO	YES
Text:	NO	NO	YES	YES	NO	YES
Current @ 24Vdc (via resistor):	24mA					
Weight:	38g	95g	38g	95g	117g	475g

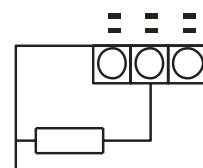
01 in part number denotes without text, 02 with text, B with back box and WP is weatherproof.

## RIU-02B-WP Enclosure



## Connections

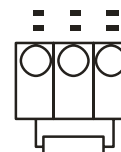
- RIU-01
- RIU-01B
- RIU-02
- RIU-02B
- RIU-02B-WP



For conventional systems connect across load resistor (terminals 1 & 3)

For most intelligent systems connect across LED (terminals 2 & 3)

- RIU-06



For conventional systems connect across load resistor (terminals 1 & 2)

For most intelligent systems connect across LED (Terminals 2 & 3)