

Our true day/night vandal proof domes with integrated infrared will give you the best quality pictures no matter what the lighting conditions are. They are an excellent offering for installations in high risk/abuse scenarios.

DIGITAL  
**PIXEL**  
SYSTEM  
FROM PIXIM



**D410-TP22H33V12LWDR**

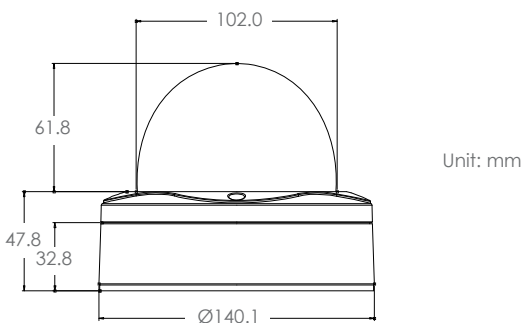
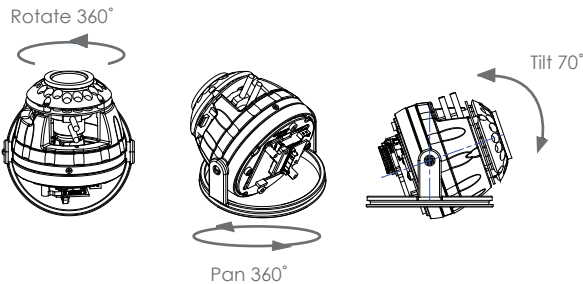


## Features

- Die-cast aluminium shell with polycarbonate bubble
- Surface mount
- Indoor/Outdoor use, built to IP66
- Pixim® Orca True Day/ Night colour sensor with removable IR cut filter
- Resolution: 480 TVL
- 0.08 Lux @ F1.2 (DSS on), 0.0 Lux @ F1.2 with IR Leds ON
- 18 IR LEDs
- IR Distance: 18m
- 3.3~12mm lens
- Operates on 12VDC/24VAC
- Second video output
- Service lead for easy configuration included

## General Specifications

Camera	1/3" Pixim® Orca True Day/ Night colour sensor with removable IR Cut filter
Total Pixels	PAL 720 (H) x 540 (V)
Sensitivity	0.08 Lux @ F1.2 (DSS On)
Resolution	480 TVL
Dynamic Range	120 dB max
Signal to Noise Ratio	48 dB
AGC	0~38 dB
Lens	3.3~12mm F1.5 aspherical varifocal lens
Iris Control	DC lens, video lens, manual lens
Shutter Speed	1/50 ~ 1/100 000
Synchronisation	Internal / Line Lock
OSD Menu Control	4-directional switch with a center push tact switch
Video Output	1.0Vp-p / 75 Ohm composite
Voltage	DC 12V(10 - 20V) or AC24V(20 - 28V)
Power Consumption	8W max
Operation Temperature	-10°C ~ +55°C
Storage Temperature	-20°C ~ +70°C
Weight	1 kg



## Functional Specifications

Camera ID	On/Off, up to 12 characters, position adjustable
Lens	Manual or DC with adjustable level
Wide Dynamic Range	Exposure / Dynamic Range with adjustable level
White Balance	Automatic, one touch or manual
AGC	On/Off with adjustable level
Day/Night Mode	Auto / Colour / Black & White
Low light	Slow shutter min. x2 max. x32 Black & White SS Gain

## Wall Mount Bracket D410-WMB (Optional)



Aluminium construction  
Easy installation