

# HSG 9583 Series Outdoor Camera Housing



## Security Systems



- Protects Camera/Lens Combinations up to 262 mm (12.5 inch) Length
- Hinged Side Opening for Easy Installation and Camera Setup
- IP55, NEMA-3R enclosure ratings
- Aluminum and Advanced Polymer Construction
- Sunshield Included
- Cable Routing Through Base or Rear of Housing
- Tamper-resistant

The HSG 9583 Series Housings are smartly styled housings, for outdoor use. These housings meet customer requirements for camera enclosures that are both cost-competitive and installer-friendly. Models are available for use with 24 VAC, 115 VAC, and 230 VAC cameras, to fit a wide range of applications.

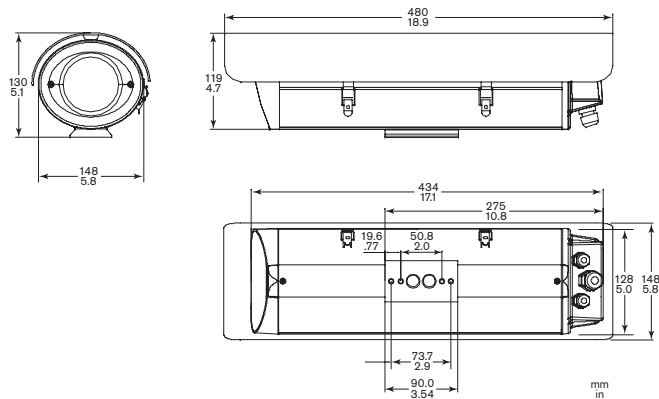
The unique hinged side-opening design facilitates easy installation of all camera/lens combinations, and allows access to most camera and lens controls when the housing is in its mounted position. Power, video, and lens control cabling can be routed through liquid-tight fittings in the bottom rear of the housing, or for even better cable management, via the feed-through entry holes in the base. Mounting holes in the base permit installation to a wide range of pan/tilts, adjustable heads, and various camera mount brackets.

External 4-pin and BNC connectors for power and video, located in the rear end cap, are also available on 24 VAC and 230 VAC models. These aluminum constructed housings are available with a factory-installed heater and blower. The heater maintains the internal temperature of the housing in cold temperature conditions as low as  $-40^{\circ}\text{C}$  ( $-40^{\circ}\text{F}$ ). In combination with a continuous-duty blower, the unit minimizes fogging in high humidity locations, and extends the temperature limits. Sunshields are included on all outdoor models.

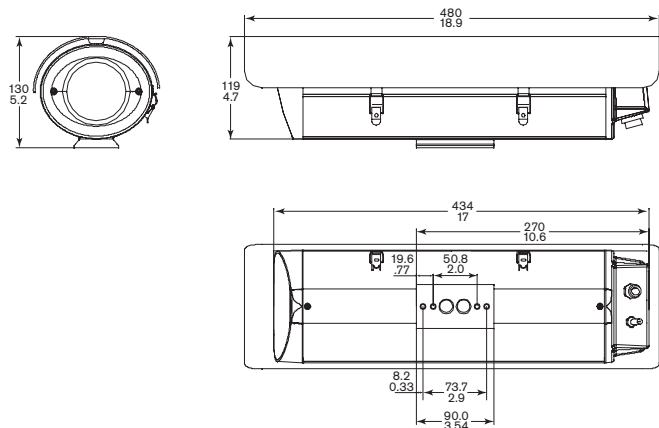
All models accommodate installation of Dinion style cameras with fixed focal, varifocal, or up to a 15x motorized zoom lens. For increased security, tamper-resistant screws are provided for the locking clasps to prevent unwanted access to the housing contents.

With a sleek design that meets IP55 and NEMA-3R enclosure standards, the HSG 9583 Series Housings are the optimal solution for protecting your video surveillance equipment from adverse elements.

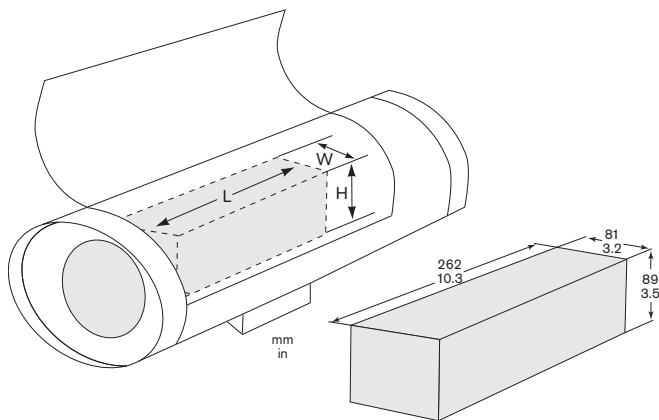
**Installation/Configuration Notes**



*HSG 9583 /20 /21 /50 /51 /61 Housings Outdoor Units*



*HSG 9583 /22 /52 /53 Housings Outdoor Units*



*All Models*  
*Maximum internal usable space available*  
*(based on camera/lens size)*

**Note:**  
 Allowance is provided for wiring and connector space requirements

**Technical Specifications**  
**Electrical/Mechanical**

**Fittings & Connectors**

HSG 9583 /20, /21, /50, /51, /61 Three (3) liquid-tight rear fittings, two (2) of which accept cable diameters from 4.0 mm to 7.0mm (0.16 inch to 0.28 inch); one (1) that accepts cable diameters from 6.5 mm to 10.5 mm (0.26 inch to 0.42 inch) Two (2) bottom feed-through liquid tight fittings accept cable diameters from 4.0 mm to 7.0 mm (0.16 inch to 0.28 inch)

HSG 9583 /22, /52, /53 Rear-mounted 4-pin connector for power, with mating connector Rear-mounted BNC connector for video

**Window** 3 mm (0.12 inch) glass

**Housing Mounting** Four (4) available 1/4-20 tapped holes; One pair of holes on 50.8 mm (2.0 inch) centers, second pair on 73.7 mm (2.9 inch) centers. Only one set of two is required for mounting

**Camera Mounting** Removable camera/lens tray, mounted with two screws

**Construction** Aluminum housing casing, neoprene gaskets, UV-resistant polymer endcaps, and all stainless steel hardware

**Tamper-resistance** Tamper-resistant screws for locking clasps are provided

**Finish** Gray

**Dimensions** See drawings

**Weight**

HSG 9583 /20, /50, /52 2.8kg (6.1lb)

HSG 9583 /21, /22, /51, /53, /61 2.9kg (6.4lb)

**Environmental**

**Operating Temp.** With heater/blower accessories installed:  
 With fixed lens: at an external temperature of -40 °C to +50 °C (-40 °F to +122 °F), the housing will maintain the internal temperature between -20 °C and 55 °C (-4 °F to +131 °F).

With zoom lens: at an external temperature of -30 °C to +50 °C (-22 °F to +122 °F), the housing will maintain the internal temperature between -10 °C and 55 °C (+14 °F to +131 °F).

**Enclosure Protection** IP55, NEMA-3R

**Product Regulatory Compliance**

**Product Safety** Complies with CE regulations, UL, CSA, EN, and IEC Standards

HSG 958x Series Outdoor Camera Housing						
	HSG 9583/20	HSG 9583/21	HSG 9583/22	HSG 9583/50	HSG 9583/51	HSG 9583/52
<b>model</b>	Outdoor Unit	Outdoor Unit	Outdoor Unit	Outdoor Unit	Outdoor Unit	Outdoor Unit
<b>Installed Accessory</b>	Htr, SS	Htr, Blr, SS	Htr, Blr, SS	Htr, SS	Htr, Blr, SS	Htr, SS
<b>Voltage/Power</b>	24 VAC / 30 W	24 VAC / 35 W	24 VAC / 35 W	230 VAC / 30 W	230 VAC / 35 W	230 VAC / 30 W
<b>Camera Ratings</b>	24 VAC	24 VAC	24 VAC	230 VAC	230 VAC	230 VAC
<b>Maximum Camera/Lens Size</b>	81 x 89 x 262 mm	81 x 89 x 262 mm	81 x 89 x 262 mm	81 x 89 x 262 mm	81 x 89 x 262 mm	81 x 89 x 262 mm
<b>W x H x L</b>	(3.2 x 3.5 x 10.3 inch)	(3.2 x 3.5 x 10.3 inch)	(3.2 x 3.5 x 10.3 inch)	(3.2 x 3.5 x 10.3 inch)	(3.2 x 3.5 x 10.3 inch)	(3.2 x 3.5 x 10.3 inch)

HSG 958x Series Outdoor Camera Housing						
	HSG 9583/53	HSG 9583/61				
<b>model</b>	Outdoor Unit	Outdoor Unit				
<b>Installed Accessory</b>	Htr, Blr, SS	Htr, Blr, SS				
<b>Voltage/Power</b>	230 VAC / 30 W	115 VAC / 35 W				
<b>Camera Ratings</b>	230 VAC	115 VAC				
<b>Maximum Camera/Lens Size</b>	81 x 89 x 262 mm	81 x 89 x 262 mm				
<b>W x H x L</b>	(3.2 x 3.5 x 10.3 inch)	(3.2 x 3.5 x 10.3 inch)				

### Ordering Information

#### Model & Description

##### HSG 9583/20 Outdoor Housing

for camera/lens up to 262 mm (10.3 inch), 24 VAC, 50/60 Hz, heater, sunshield, feed-through cabling

##### HSG 9583/21 Outdoor Housing

for camera/lens up to 262 mm (10.3 inch), 24 VAC, 50/60 Hz, heater, blower, sunshield, feed-through cabling

##### HSG 9583/22 Outdoor Housing

for camera/lens up to 262 mm (10.3 inch), 24 VAC, 50/60 Hz, heater, blower, sunshield, outside BNC connector and outside power connector

##### HSG 9583/50 Outdoor Housing

for camera/lens up to 262 mm (10.3 inch), 230 VAC, 50/60 Hz, heater, sunshield, feed-through cabling

##### HSG 9583/51 Outdoor Housing

for camera/lens up to 262 mm (10.3 inch), 230 VAC, 50/60 Hz, heater, blower, sunshield, feed-through cabling

##### HSG 9583/52 Outdoor Housing

for camera/lens up to 262 mm (10.3 inch), 230 VAC, 50/60 Hz, heater, sunshield, outside BNC connector and outside power connector

##### HSG 9583/53 Outdoor Housing

for camera/lens up to 262 mm (10.3 inch), 230 VAC, 50/60 Hz, heater, blower, sunshield, outside BNC connector and outside power connector

##### HSG 9583/61 Outdoor Housing

for camera/lens up to 262 mm (10.3 inch), 115 VAC, 60 Hz, heater, blower, sunshield, feed-through cabling

#### Hardware Accessories

##### LTC 9215/00 Mount

Wall bracket for LTC/HSG 948x and HSG 9583 housings

##### LTC 9215/00S Mount

Short wall bracket for LTC/HSG 948x and HSG 9583 housings

##### LTC 9219/01 J-Mount

Feed-through j mount for LTC/HSG 948x and HSG 9583 housings

##### HAC-TAMP-01 Tamper Switcher

for HSG 9583/xx Series

**Americas:** Bosch Security Systems  
130 Perinton Parkway  
Fairport, New York, 14450, USA  
Phone: +1 585 223 4060  
Toll-free: +1 800 289 0096  
Email: [security.sales@us.bosch.com](mailto:security.sales@us.bosch.com)  
Website: <http://www.boschsecurity.us>

**Europe, Middle East, Africa:** Bosch Security Systems B.V.  
P.O. Box 80002  
5600 JB Eindhoven, The Netherlands  
Phone: +31 (0) 40 27 83955  
Fax: +31 (0) 40 27 86668  
Email: [nemea.securitysystems@bosch.com](mailto:nemea.securitysystems@bosch.com)  
Website: <http://www.boschsecurity.com>

**Asia-Pacific:** Bosch Security Systems Pte Ltd  
38C Jalan Pemimpin  
Singapore 577180  
Phone: +65 6319 3450  
Fax: +65 6319 3499  
Email: [napr.securitysystems@bosch.com](mailto:napr.securitysystems@bosch.com)  
Website: <http://www.boschsecurity.com>

# BOSCH