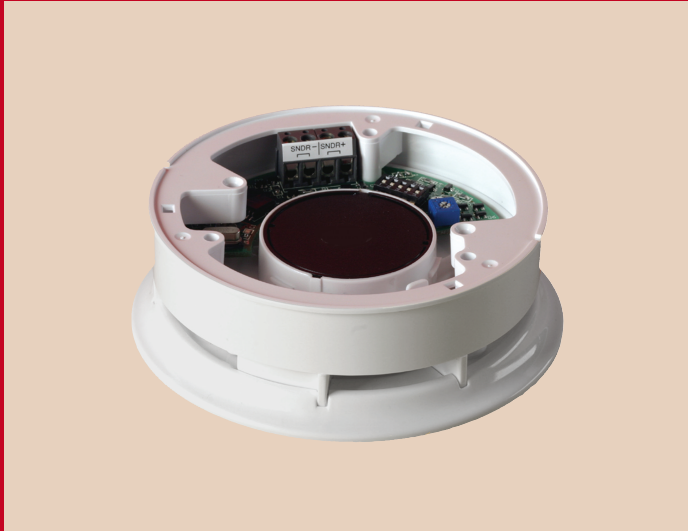


## Sonos Universal Base Sounder



### Features

- Two large cable entries for quick and simple installation
- Keyhole fixing points for ease of installation
- Designed to complement a variety of detectors
- Volume control for maximum flexibility
- 32 distinct alarm tones
- Choice of colours
- Cover plate available for use as a sounder only

### Overview

The Sonos Universal Base Sounder is a low profile sounder designed to comply with EN54.

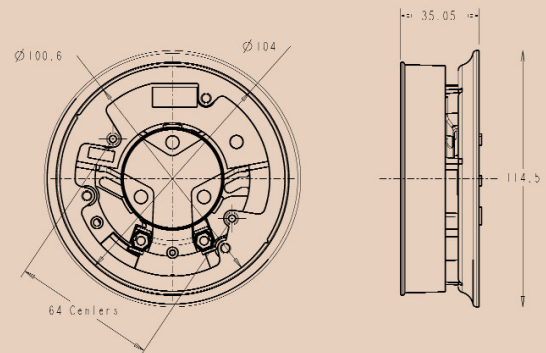
Its prime application is to be installed under proprietary smoke and heat detectors to provide both detection and alarm at the same point, reducing wiring and installation costs. With the optional cover it can also be used as a stand alone sounder.

With a sound output of 95dB, 32 tones and volume control, it is ideal for areas with low ambient noise where it is desirable to fit a larger number of lower output sounders, such as offices and hotel bedrooms.

A choice of colours is available, including white and cream, to coordinate with various detectors.

### Applications

- Fire alarm



- Fire
- Security
- Industrial
- Railway/Marine
- Hazardous Area
- Public Warning

Part No.	Colours	Audibility at 1m (tone dependent)	Tones	Voltage	Current (tone dependent)
18-980532	White	Up to 95dB (A)	32	17-60V DC	3 - 7mA
18-980533	Cream	Up to 95dB (A)	32	17-60V DC	3 - 7mA

IP Rating: Indoor    Rating: Continuous    Frequency: 400-2850Hz    Operating Temp: -10°C to +55°C  
Construction: High Impact Polycarbonate    Cable Entries: N/A    Weight: 0.1kg    Compliance: EN54 3 Type A