

#### HEADQUARTERS

FAAC SpA  
Via Calari, 10 – 40069 Zola Predosa (BO) – Italy  
Tel. +39 05161724  
Fax +39 051 758518  
www.faacgroup.com – info@faac.it

#### FAAC SUBSIDIARIES

FAAC AG  
Tel. +41 52 3461721  
Fax +41 52 3461723  
Illnau, Switzerland  
www.faac.ch

FAAC FRANCE  
Tel. +33 472218700  
Fax +33 472218701  
Corbas, France  
www.faac.fr

FAAC GMBH  
Tel. +49 8654 49810  
Fax +49 8654 498125  
Freilassing, Germany  
www.faac.de

FAAC MIDDLE EAST  
Dubai, Emirati Arabi  
www.faac.ae  
info@faac.ae

F.A.A.C. SA  
Tel +34 91 6613112  
Fax +34 91 6610050  
Madrid, España  
www.faac.es

FAAC UK LTD.  
Tel +44 1256 318100  
Fax +44 1256 318101  
Basingstoke, Hampshire UK  
www.faac.co.uk

FAAC AUSTRALIA PTY LTD  
Tel. +61 2 7565644  
Fax +61 2 87565677  
Homebush – Sydney, Australia  
www.faac.com.au

FAAC NORD  
Tel. +33 1 69191620  
Fax +33 1 69536069  
Massy, France  
www.faac.fr

FAAC INDIA PVT. LTD  
Tel. +91 120 3934100/4199  
Fax +91 120 4212132  
Noida – Delhi, India  
www.faacindia.com

FAAC POLSKA SP.ZO.O.  
Tel. +48 22 8141125  
Fax +48 22 8142024  
Warszawa, Polska  
www.faac.pl

F.A.A.C. SA Delegación Cataluña  
Tel. +34 93 4362000  
Fax +34 93 5727994/4368225  
Barcelona, España  
www.faac.es

FAAC BENELUX  
Tel. +32 50 320202  
Fax +32 50 32024215  
Brugge, Belgium  
www.faac.be

FAAC GE.S. M.B.H.  
Tel. +43 662 8533950  
Fax +43 662 85339520  
Wals-Siezenheim, Austria  
www.faac.at

FAAC INTERNATIONAL INC.  
Tel. +1 307 6351991  
Fax +1 307 6328148  
Cheyenne, USA  
www.faacusa.com

FAAC SCANDINAVIA AB  
Tel. +46 36 376860  
Fax +46 36 370780  
Bankeryd, Sweden  
www.faac.se

FAAC SHANGHAI  
Tel. +86 21 68182970  
Fax +86 21 68182968  
Shanghai, China  
www.faac.com.cn



## 844 Gearmotor for sliding gates

# FAAC



FOR SLIDING GATES UP TO 2200KG

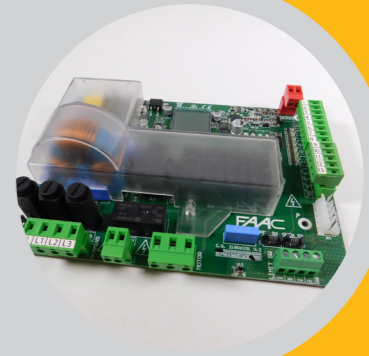
- Ideal for demanding applications
- Electronic equipment can be fitted internally or remotely, allowing maximum flexibility during installation.
- Torque settings adjusted from the control board.
- Reliability and long life due to the internal mechanical components being immersed in a constant oil bath.
- Models are available for rack and pinion or chain drive.



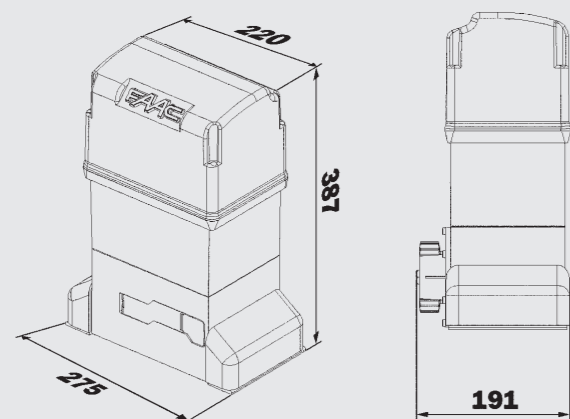
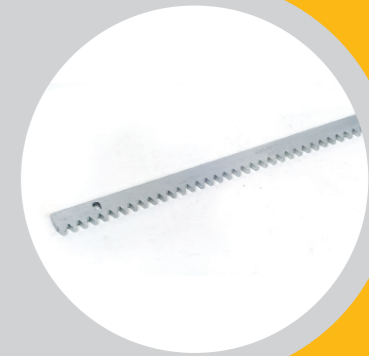
578D control board



E844 t control board



galvanised racking



Dimensions of unit

TECHNICAL SPECIFICATIONS 844

	844	844 3 Phase	844 reversible
Power supply	230 V (+6%-10%) 50 (60) Hz	400 V 3ph (+6%-10%) 50 (60) Hz	230 V (+6%-10%) 50 (60) Hz
Absorbed power	650 W	950W	550W
Current drawn	3.5A	2.5A	2.5A
Max thrust	110 DaN (Z16)	190 DaN (Z16)	68 DaN (Z12)
Motor rotation speed	1400 rpm	1400 rpm	750 rpm
Motor winding thermal cutout	230°C	-	140°C
Duty cycle	70%	60%	70%
	40 cycles per hr on 5m gate (Z16)	26 cycles per hr on 5m gate (Z12)	49 cycles per hr on 5m gate (Z12)
Reduction ratio	1:30	1:30	3:29
Operating temp range		-20°C to +55°C	
Weight with oil	14.5kg	15kg	15kg
Oil type		FAAC HP Oil	
Gate speed	9.5m/min (using the Z16 pinion)	7.5m/min (using the Z16 pinion)	11.6m/min (using the Z12 pinion)
Limit switch		Inductive	
Max gate length	50m (z20) 40m (Z16)	40m	49m
Max gate weight	1800 kg	2200kg	1000kg