

## Sonos Compact Sounder



### Features

- Flush mount sounder
- 10 distinct alarm tones
- Fixes to standard flush or surface mount back boxes
- Choice of colours

### Overview

A flush mount alarm sounder designed for use in fire, security and industrial applications.

The Sonos Compact Sounder is particularly suited to fire alarm applications such as hotel bedrooms or areas where an unobtrusive sounder is desirable.

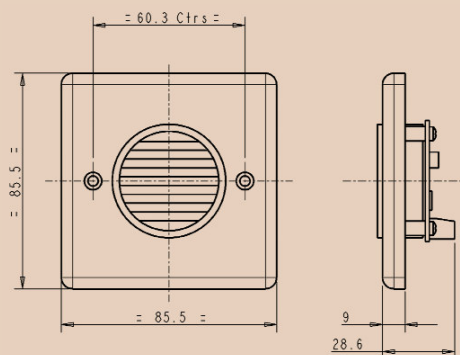
The Sonos Compact Sounder is designed to fix to standard flush or surface mount back boxes.

With a choice of 10 tones, Sonos Compact Sounders are available in either red or white.

- Fire
- Railway/Marine
- Security
- Hazardous Area
- Industrial
- Public Warning

### Applications

- Fire alarm; emergency alarm; lift alarm



Part No.	Colours	Audibility at 1m (tone dependent)	Tones	Voltage	Current (tone dependent)
18-980455	Red	Up to 90dB (A)	10*	10-30V DC	7-11mA
18-980456	White	Up to 90dB (A)	10*	10-30V DC	7-11mA

\* Tones 1-9 and tone 13 from the standard 32 tone list (see page 23)

**IP Rating:** Indoor    **Rating:** Continuous    **Frequency:** 400-2850Hz    **Operating Temp:** -10°C to +55°C  
**Construction:** Flame Retardant ABS    **Cable Entries:** N/A    **Weight:** 0.06kg