

6700  
SERIES

# 6798

6700 Series 7" hands-free video monitor  
for the IPure system



The 6798 videophone is a full-duplex hands-free device with 7" touchscreen TFT LCD monitor, a look that conveys elegance and cutting-edge technology and that blends in with any living environment thanks to the minimal footprint for surface installation.

Practicality is combined with design: rapid functions allow easy, intuitive use and the large high-resolution display allows for optimal supervision.

### 7" TFT LCD monitor

with high resolution and capacitive touch and OSD menu

### Full duplex hands-free

### 4 freely configurable buttons

### Service signalling LEDs

- Privacy ON
- Lost call

**Intercommunication function**  
through GUI

### PoE technology

Allows power supply via UTP cable & PoE switch

### Adjustments

Speech volume, call tone volume and brightness

### Surface or desktop installation

**Impact resistant  
ABS plastics  
in a satin  
white finish**



**VIDEX**

THE POWER TO SECURE

## 6700 Series 7" hands-free video monitor for the IPure system

TFT high-resolution LCD monitor, OSD capacitive touch screen, 4 buttons configurable for functions: door open, intercom call, auto start, camera switching, timed privacy service.

12Vdc or PoE power supply.

2 inputs / 2 outputs.

Wall mounted (or via desktop kit), satin white finish.

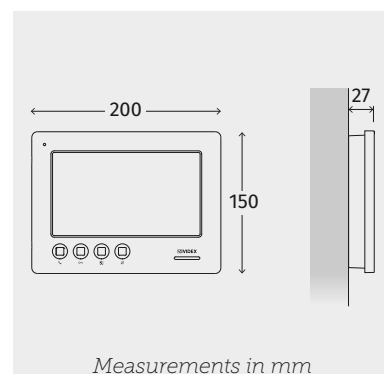


### Technical characteristics

<b>Display</b>	7" TFT at 800x480 resolution Capacitive Multi-Touch panel
<b>Handset/Hands free</b>	Hands free
<b>Buttons No.</b>	4
<b>Buttons/Services<sup>1</sup></b> (all buttons programmable)	Service, Camera recall Door-open/Intercommunicating call, Privacy
<b>Privacy</b>	Yes, timed
<b>Operating system</b>	Linux OS
<b>Video streaming</b>	H.246 and more
<b>Memory board opt.</b>	Yes, standard
<b>Programming features</b>	Service Intercommunicating call Privacy duration Melody Number of rings Door panels phonebook
<b>Interfaces</b>	10/100 Mbps Ethernet Optional WiFi dongle connection
<b>TVCC compatibility</b>	Yes, IP-based
<b>Sensors</b>	High quality integrated temperature sensor (Smart chronothermostat)
<b>RJ-45 plug</b>	Yes
<b>Inputs</b>	2 programmable active low inputs
<b>Outputs</b>	2 programmable dry contacts
<b>Power supply</b>	12Vdc - 650mA or PoE standard IEEE 802.3af Class 0
<b>Mounting</b>	Surface (wall) or via desktop kit
<b>Finishes</b>	Satin white
<b>Desktop kit</b>	Art. 67931

<sup>1</sup> Some buttons are used for multiple functions.

### Accessories



### Videx Cloudnected client

Videx CloudNected Client is a cross-platform application for smartphones and tablets that allows the user to interface with Videx IP products easily.

Register your account in the app and connect Videx IP devices by simply acquiring the device's QR code.

You can receive incoming calls from your door panel wherever you are, without needing to keep the application open.

Call the connected devices and operate gates and doors even when you are away from home.

**Note:** this application does not replace the use of traditional monitors; the application performances are subject to the energy saving mode of the smartphone and to connectivity.



### VIDEX SECURITY LTD.

#### Main UK Office

1 Osprey, Trinity Park, Trinity Way,  
London, E4 8TD  
tel: 0370 300 1240 - fax: 020 8523 5825

[www.videxuk.com](http://www.videxuk.com)

#### Northern UK Office

Unit 4-7 Chillingham Ind. Estate, Chapman Street,  
Newcastle Upon Tyne, NE6 2XX  
tel: 0370 300 1240 - fax: 0191 224 1559

