

# monitored electric strike

## AL2000

The Alpro AL2000 series high security monitored strikes are designed for timber and metal door applications.

### 12/24v Selectable

### High Security

Stainless steel one part body and striker

### Holding Force

1,380kg (3,000lb) - factory tested

### Monitoring

Latch and door monitoring  
Anti-tamper monitoring

### Compact Shallow Body

26mm overall depth

### Fixing Tab Options

Single fixing for metal

### Low Current Consumption

220mA - 12v DC continuous ( $\pm 15\%$ )  
110mA - 24v DC continuous ( $\pm 15\%$ )

### Simple Fail Safe/Fail Secure Changeover

### Easy Installation

Stick on / peel off template

### Weather Resistant - IP56 Protection as Standard

### Options

Unmonitored version available  
Extension lips – 15, 25, 50 and 75mm (pre-drilled strike body)

### Spares

Replacement changeover pin

### Approvals

CE – BS EN 50081-1 and BS EN 50082-1

### AC Compatibility (with RM1)

The Rectifier Sounder Module enables operation with AC voltages.

The sounder can be set for either buzzing or silence with both AC and DC voltages.

The IEC RM1 unit is continuously rated – max 1 amp.

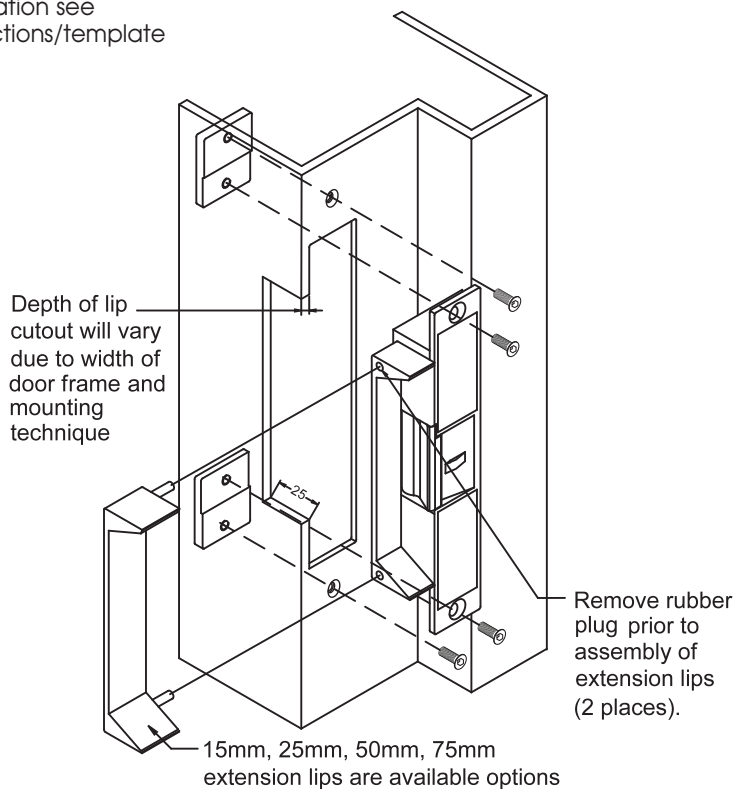


COMPANY	MODEL	COMPANY	MODEL
<b>Accepts 15mm latch bolt when fitted with 3mm door gap</b>		<b>Accepts 15mm latch bolt when fitted with 3mm door gap</b>	
<b>Adams-Rite</b>	4710, 4720, 4750	<b>Legge</b>	8767, 8157N, E900
<b>ASEC</b>	AS1094, AS1095	<b>Union</b>	2332, 2341, 2349, 2370, 2379
<b>ASSA</b>	3059, 3061, 3062, 8516, 8517, 8518, 8519, 8760, 8761, 8762, 8764	<b>Viro</b>	8516, 8517, 8518, 8519
<b>Chubb</b>	3R35	<b>Yale</b>	3600, 3610, 4103, 6025, 6070

DESCRIPTION	FUNCTION	CODE
12/24vDC Monitored Strike including mounting kit	Fail Safe/PTL	<b>AL2001</b>

ACCESSORIES	CODE
15mm Extension Lip	<b>ALEX2015</b>
25mm Extension Lip	<b>ALEX2025</b>
50mm Extension Lip	<b>ALEX2050</b>
75mm Extension Lip	<b>ALEX2075</b>
Rectifier Sounder Module	<b>IEC-RM1</b>

Note: For detail of installation see instructions/template



AL2000  
Overall depth 26mm

