

# Banshee Excel™ CH Sounder

The Banshee Excel™ CH sounder represents the most modern, acoustically advanced and by far the most versatile conventional electronic sounder available on the market today.

The sounder comes with 32 user-selectable tones incorporating low frequencies, high frequencies, European, American and Australian norms and all industry-standard frequency patterns.

Tested and approved to EN 54 Part 3, the Banshee Excel™ CH sounder boasts leading acoustics, aesthetically pleasing design and low power consumption. The unit is designed for ease of installation and is complemented by a wide selection of accessories to suit all applications.

Banshee Excel™ CH is manufactured in flame retardant ABS and is available in three colours, making it suitable for a wide range of alarm and signalling applications. The sounder is fitted with a professional capsule driven horn and uses the push and twist bayonet fitting Banshee™ base compatible with other products in the Banshee Excel™ range.



## Features

- 32 user-selectable tones - industry standard compatible
- Very low current consumption
- EN 54-3 tested and fully approved in accordance with CPR
- VdS approved
- Uses same bases as Banshee™ - simple push and twist bayonet mounting with locking screw
- Available in three colours - red, white or grey
- Easy to install with side and rear cable entry
- Robust 'two in two out' 2.5 mm<sup>2</sup> terminals
- Three selectable volume levels
- Rated to IP66 or IP45
- Extensive family of accessories for a wide range of applications
- Recyclable

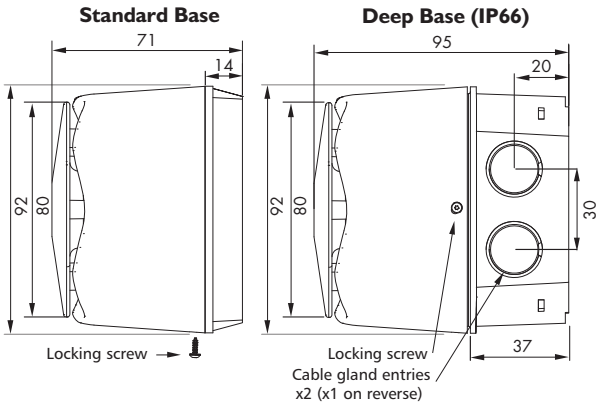
## Specification

Operating Voltage (Vdc):	9-30
Operating Voltage EN 54-3 (Vdc):	24 (20 -28)
Tone Current Consumption (mA):	See Sound Output Table <sup>#</sup>
Sound Output (dBA Typ @ 1m):	See Sound Output Table <sup>#</sup>
Tones Available:	See Sound Output Table <sup>#</sup>
Body Colours:	Red, White or Grey
Temperature Range (Deg C):	-40 to +70
Volume Control:	High, Medium (-10 dBA) Low (-20 dBA)
Environment Category / IP Rating:	Type A/IP45 Std Base Type B/IP66 Deep Base

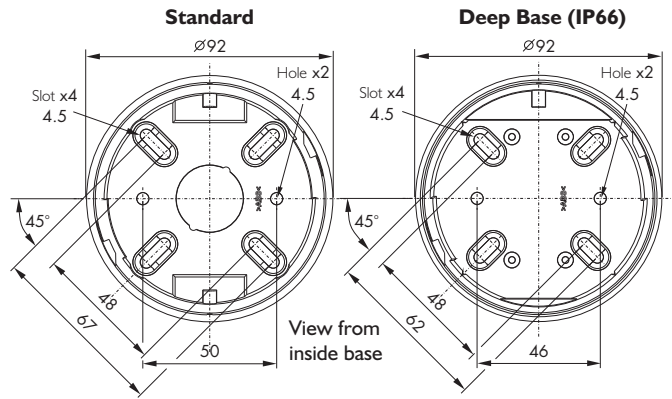
The unit meets minimum requirements of IP21C Shallow Base and IP33C Deep Base in accordance with EN 54-3

# Installation

## Banshee Excel™ CH Sounder



## Banshee Excel™ Common Base



## # Sound Output Table & Tone Specification

No.	DIL SW 1 2 3 4 5	Description	Frequency and timing	2nd Tone	(12V)		(24V)	
					dBa	mA	dBa	mA
1	0 0 0 0 0	Banshee Buzz LF	800Hz to 950Hz swept at 120Hz	4	94	6	101	12
2	1 0 0 0 0	<b>Banshee Fast Sweep LF*</b>	<b>800Hz to 950Hz swept at 9Hz</b>	4	94	6	101	12
3	0 1 0 0 0	Banshee Slow Sweep LF	800Hz to 950Hz swept at 3Hz	4	94	6	101	12
4	1 1 0 0 0	Banshee Continuous LF	Continuous at 900Hz	4	94	6	101	12
5	0 0 1 0 0	Banshee Fast Sweep LF (New)	830Hz to 970Hz swept at 9Hz	4	95	6	101	12
6	1 0 1 0 0	<b>Medium Sweep LF*</b>	<b>800Hz to 970Hz swept at 1Hz</b>	7	96	6	101	12
7	0 1 1 0 0	Continuous LF	Continuous at 950Hz	7	96	6	102	13
8	1 1 1 0 0	Back Up Alarm LF	Intermittent at 950Hz 1 sec on, 1 sec off	4	96	8	102	14
9	0 0 0 1 0	Alternate LF	Alternating 800Hz/1000Hz at 1Hz	4	94	6	100	13
10	1 0 0 1 0	Medium Sweep LF	800Hz to 1000Hz swept at 0.5 secs	4	95	6	101	12
11	0 1 0 1 0	Alternate LF	Alternating Tones 800/950 at 3Hz	4	96	6	101	12
12	1 1 0 1 0	Banshee Buzz HF	2400Hz to 2900Hz at 120Hz	15	102	16	110	35
13	0 0 1 1 0	Banshee Fast Sweep HF	2400Hz to 2900Hz at 9Hz	15	103	17	110	35
14	1 0 1 1 0	Banshee Slow Sweep HF	2400Hz to 2900Hz at 3Hz	15	103	17	110	35
15	0 1 1 1 0	Banshee Continuous HF	Continuous 2900Hz*	15	103	19	110	39
16	1 1 1 1 0	Banshee Fast Sweep HF (New)	2450Hz to 3100Hz swept at 9Hz	15	103	18	110	36
17	0 0 0 0 1	Back Up Alarm HF	Intermittent at 2900Hz 1 sec on, 1 sec off*	15	104	18	110	36
18	1 0 0 0 1	Alternate HF	Alternating Tones 2400/2900 at 3Hz	15	104	16	110	36
19	0 1 0 0 1	<b>Slow Whoop*</b>	<b>500Hz rising to 1200Hz over 3.5 secs, silence 0.5 sec</b>	4	95	6	101	12
20	1 1 0 0 1	<b>Din Tone (DK)*</b>	<b>1200Hz falling to 500Hz over 1 sec, silence 10mS, repeat</b>	4	93	5	100	10
21	0 0 1 0 1	<b>French Fire Sound*</b>	<b>554Hz for 100mS and 440Hz for 400mS</b>	4	90	4	96	7
22	1 0 1 0 1	Australian Alert Signal	420Hz repeating 0.625 sec on, 0.625 sec off	4	89	3	95	6
23	0 1 1 0 1	Australian Evacuation Signal	500Hz to 1200Hz sweeping, 3.75 secs on, 0.25 secs off	4	95	6	103	12
24	1 1 1 0 1	US Temporal Tone LF	950Hz for 0.5 sec on, 0.5 sec off for 3 phases, silence for 1.5secs and repeat	4	95	5	101	10
25	0 0 0 1 1	US Temporal Tone HF	2900Hz for 0.5 sec on, 0.5 sec off for 3 phases, silence for 1.5secs and repeat	15	104	13	110	26
26	1 0 0 1 1	Swedish Tone (Fire)	Intermittent 660Hz 150mS on, 150mS off	26	90	3	96	6
27	0 1 0 1 1	Swedish Tone (All Clear)	Continuous 660Hz	27	91	5	97	9
28	1 1 0 1 1	ISO8201 LF	Intermittent 970Hz 500mS on, 500mS off	28	93	5	99	10
29	0 0 1 1 1	ISO8201 HF	Intermittent 2900Hz 500mS on, 500mS off*	29	103	13	110	27
30	1 0 1 1 1	BT Banshee (FPI063.1)	Yodel 800Hz/1000Hz, 0.25sec each frequency	31	93	6	100	12
31	0 1 1 1 1	BT Banshee (FPI063.1)	Continuous 1000Hz	31	90	6	96	14
32	1 1 1 1 1	Bell Tone	Bell Tone	32	96	12	101	25

Notes: \*Tones highlighted in bold are approved under the Construction Product Directive; Sound output (dBa) and current (mA) values are typical.

## Part Numbers - Sounder

902CHA6A0: Banshee Excel CH - Red  
 902CHA4A0: Banshee Excel CH - White  
 902CHA5A0: Banshee Excel CH - Grey  
 903CHA6A0: Banshee Excel CH - Red, Deep Base IP66  
 903CHA4A0: Banshee Excel CH - White, Deep Base IP66  
 903CHA5A0: Banshee Excel CH - Grey, Deep Base IP66

## Part Numbers - Spares & Accessories

8502700: Mains Pack - 110 Vac/230 Vac input 24 Vdc output  
 8502800: Cable Spacing Ring for Surface Wiring of sounder  
 8502900: Flush Mounting Ring - for Banshee Excel, Excel Lite  
 8503000: Combination bracket - for Sounders and Strobes  
 8503100: External Fixing Clip for Deep Base  
 (avoids drilling through base thus retaining IP66 rating)  
 BA87331/P: Deep Base - White, complete with 'O' Ring  
 BA87341/P: Deep Base - Red, complete with 'O' Ring  
 BA87351/P: Deep Base - Grey, complete with 'O' Ring

## Vimpex Limited

Star Lane, Great Wakering  
 Essex SS3 0PJ England  
 Tel: +44 (0) 1702 216999  
 Fax: +44 (0) 1702 216699  
 E-mail: sales@vimpex.co.uk  
[www.vimpex.co.uk](http://www.vimpex.co.uk)

