

Banshee Excel™ FlashDome Beacon

The Banshee Excel™ FlashDome features ultra-efficient LEDs and is ideal for use as a supplementary indicator in alarm systems.

The FlashDome is 100% compatible with the rest of the Excel Sounder and Sounder Beacon range and utilises the same shallow and deep bases and broad range of accessories.

Features

- Ultra-efficient LEDs
- Very low current consumption
- Sleek, low-profile design
- Compatible with other Excel Sounders and Sounder Beacons and accessories
- Uses same bases as BansheeMT - simple push and twist bayonet mounting with locking screw



Specification

| | |
|-----------------------------------|-----------------------------------------------|
| Operating Voltage (Vdc): | 10-28 |
| Flash Current Consumption (mA): | 7 |
| Body Colours: | Red |
| Lens Colour (Polycarbonate): | Red |
| Temperature Range (Deg C): | -20 to +70 |
| Environment Category / IP Rating: | Type A/IP45 Std Base Type B/IP66 Deep Base |

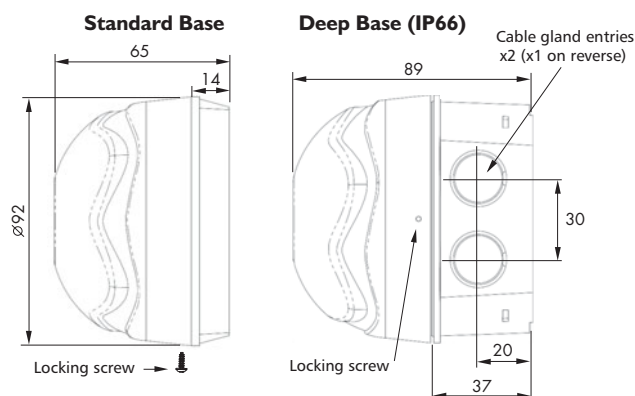
Part Numbers

- 8582100: FlashDome - LED Beacon, Red
 8582101: FlashDome - LED Beacon, Red, Deep Base IP66

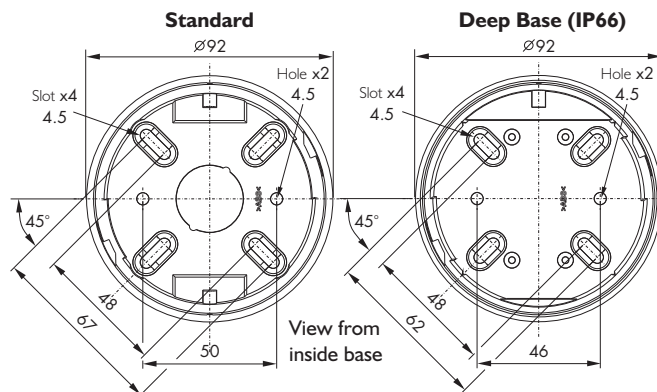
Installation

Dimensions (mm)

Banshee Excel™ Flashdome Beacon



Banshee Excel™ Common Base



Vimpex Limited

Star Lane, Great Waking
 Essex SS3 0PJ England
 Tel: +44 (0) 1702 216999
 Fax: +44 (0) 1702 216699
 E-mail: sales@vimpex.co.uk
www.vimpex.co.uk

