

# deadlocking bolt

## Slimline - Key Override DB25KO

The Alpro DB25KO key override model offers the same functionality as the standard DB25 with provision for a Euro profile cylinder as a means of mechanical override. The ultra-slim design of the DB25KO enables fixing into very narrow sections. An advanced microprocessor module provides power reduction allowing continuous operation without heat generation as well as automatic voltage regulation, dual monitoring and access control features.

### High Physical Security

Holding force 1,000kg - automatic deadlocking  
Bolt throw 16mm

### Robust Construction

All stainless steel bolt of 12.7mm diameter, linkages and springs. 3mm stainless steel faceplate and strike plates with fully enclosed mechanism.

### Maintained Key Override

Using standard Euro profile cylinder case pierced both sides for operation either side.

### Versatile Installation

Designed to provide concealed high security locking on any single or double action, hinged or sliding door in timber or metal for vertical or horizontal mounting.

### Slimline Dimensions

280mm(L) x 25mm(W) x 42mm(D)

Back box 230mm(L) x 22mm(W) x 42mm(D)

### Faceplates

Radius

### Multiple Voltage Input

Any voltage from 12v DC -10% to 24v DC +15%. Complete with built in transient and reverse polarity protection and continuously rated solenoid.

### Low Current Consumption

Volts	Current - Activate	Current - Hold (after 200ms)
12v DC	1100mA	210mA
24v DC	1000mA	90mA



### Triple Monitoring

Bolt, Door and Key position switches

### Built-in Access Control Module

Automatic unlock period - 8 seconds

Multiple auto relock function - PTL - 8 times

Multiple unlock function - PTO - 5 times

### Accessories

Stainless steel surface mount kit

### Approvals

EN 61000-6-1 : 2007

EN 61000-6-3 : 2007

## Built-in Access Control Module

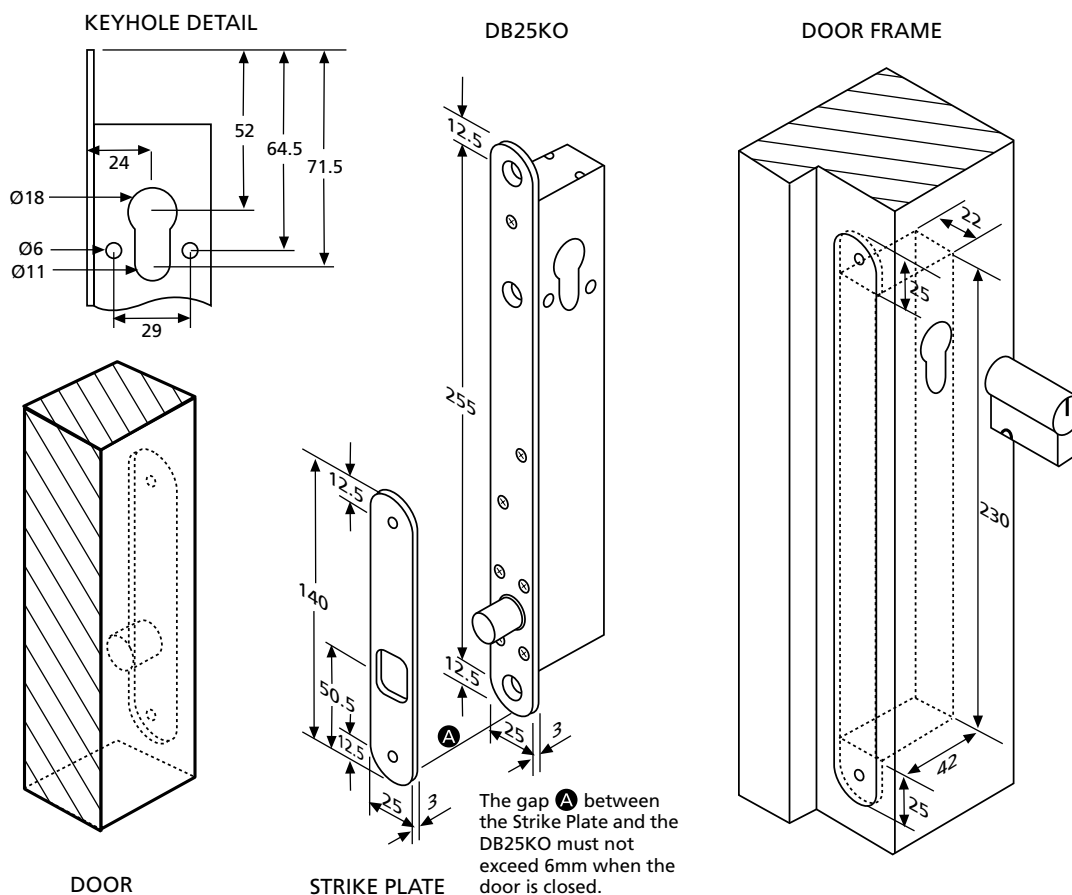
Automatic unlock period - a fixed 8 second period operates once the bolt is signalled to unlock. This enables traffic exiting 8 seconds in which to open the door before it automatically relocks. See Anti-Tailgate.

Multiple auto relock function - when relocking the bolt makes 8 locking attempts over 16 seconds. Change in the Bolt Position Switch status indicates that the door has been locked. Fail open models only.

Multiple unlock - in fail secure mode - 5 attempts to unlock door at 1.6 second intervals.

Anti-Tailgate - once the door has been pushed open and closed during the 8 second unlock period, the bolt will immediately relock.

DESCRIPTION	FUNCTION	CODE
12/24v DC	Fail Open - Power to Lock	DB25KO PTLOCK
12/24v DC	Fail Secure - Power to Open	DB25KO PTOPEM
ACCESSORIES		CODE
Surface Mounting Kit - Surface Mount Housing/Surface Mount Strike Box/Long Strike Plate (stainless steel)		DB25KO/SMH-KIT
Extras for glass applications - Kit comprises 2 stainless steel Dress Plates		DB25KO/SMK-DP
Long Strike Plate - Replacement		DB25KO/LONG
Half Euro Profile Cylinder Keyed Alike 40mm		5224
Half Euro Profile Cylinder Keyed Differ 40mm		5222



Housing dimensions: 295mm (L) x 47mm (H) x 28.5mm (W)