

EXIT BUTTONS

Green Domed Metal Button



First choice for quality

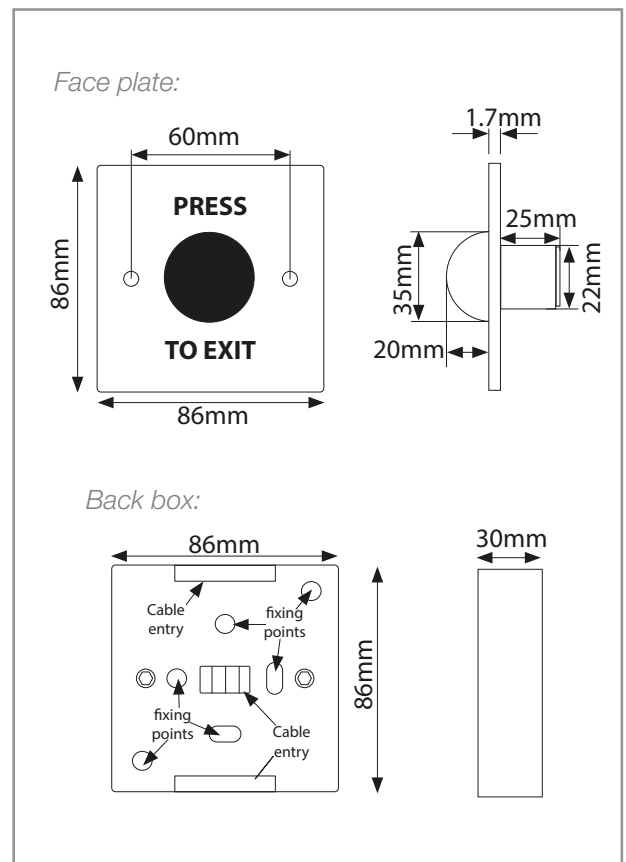
CQR offer a range of exit buttons designed to meet the most robust applications and to comply with Health & Safety regulations.

The Green Domed Metal request to exit button is designed to be used with access control systems, and comes complete with a green plastic surface back box.

The button can be wired as normally closed and/or normally open and be flush or surface mounted using a standard UK 42mm deep single-gang back box.



- Green domed metal button
- Stainless steel plate
- Flush or surface mount - green back box included
- N/O - N/C Contacts 500k operations
- IP Rating IP5X
- Size: 86H x 86W x 30D mm (to plate)



rev. 1-06/2021

Product code

Code	Description
XB/GDM/PTE/GBB	Green Domed Metal Button with green back box

Technical data

Front plate:	Stainless steel
Button material:	Aluminium
Back box material:	ABS
Switch; voltage rating:	125-250VAC
Switch; current rating:	3A
Operating temp:	-20°C to +55°C
IP rating:	5X
Mechanical life:	500,000 operations



www.cqr.co.uk

info@cqr.co.uk

Sales: +(0)151 606 1000 Tech: +(0)151 606 6311

CQR Security Ltd, 125 Pasture Road, Moreton, Wirral, CH46 4TH, UK

