

# MIDI FIRE-CRYER<sup>®</sup> PLUS VOICE SOUNDER

A high-powered voice sounder designed for environments requiring a high output, such as industrial applications, large open spaces like warehouses, factories, and areas of public gathering or transit.

Requiring no special wiring, it can be retrofitted to existing installations and be fully synchronised. The units can be used as a replacement for electronic sounders or bells to broadcast a clear message in any situation - evacuation, chemical spills, access message, security or general information.

Where staged alarm or phased evacuation is required, the addition of the FC3/MMSP interface allows up to 7 different messages to be broadcast across multiple zones on just 2 wires.



## FEATURES

- High Output up to 110 dB(A) @ 1 Metre (Tone dependant)
- Corrosion proof IP 66 rated enclosure
- Unit can be mounted using external lugs or internal BESA compatible fixing
- Duplicate cable terminations (in & out for daisy-chain installations) with single glanded entry

## ACCESSORIES

- FC3/MMSP Multi Message Switching PCB

## STANDARD FIRE MESSAGE

**“Fire emergency. Please remain calm and evacuate the building immediately”**

Extensive library available in many languages

## SPECIFICATION

Tone Maximum output	110 dB(A) @ 1 metre
Voice: Maximum output	102 dB(A) @ 1 metre
Voice Volume Adjustment	94 dB(A) – 102 dB(A)
Nominal Voltages DC	24 V dc
Nominal Current @ 24V	100 mA Average / 180 mA Peak
Voltage Range DC	20 V dc – 28 V dc
Ingress protection	IP 66
Housing material	High impact UL94 V0 & 5VA FR ABS
Colour	Red (RAL3000)
Cable entries	2 x M 20 clearance gland entries
Terminals	0.5 mm <sup>2</sup> – 2.5 mm <sup>2</sup> cables.
Operating temp	-25° C to +55° C
Storage temp	-40° C to +70° C
Relative humidity	90% at 20°C
Weight	1.80kg/3.96lbs

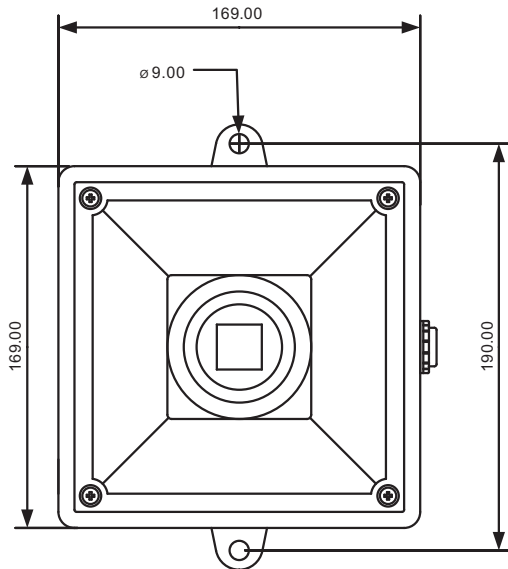
SPL Data +/- 3dB(A)

PART CODE: FC3/F/R/0/0

PART NAME: MIDI FIRE-CRYER PLUS

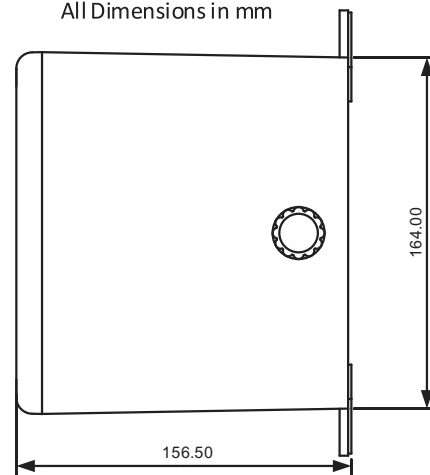
# MIDI FIRE-CRYER<sup>®</sup> PLUS VOICE SOUNDER

## INSTALLATION



Fire-Cryer Plus Midi  
Part Ref. FC3/F

All Dimensions in mm



DS/3700030 ISS1

We reserve the right to change or amend any design or specification in line with our policy of continuing development and improvement.