



# GAHDCMIR

## AHD Corner Mount IR Camera

*The GAHDCMIR is a Corner Mount IR Camera with 30 IR LED's. It has 2MP Resolution, is Vandal Resistant and is able to see up to 10m in IR distance in ideal conditions.*

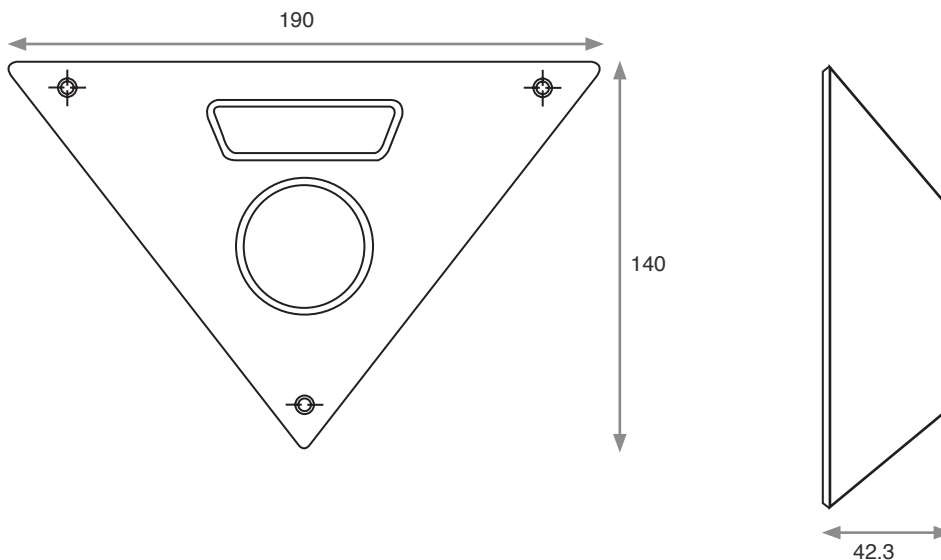


GAHDCMIR

### Key Features

- 1/2.8" Sony Exmor CMOS image sensor
- HD Mega Pixel (1080p)
- Auto Compensation & Long Range
- Vandal Resistant
- Excellent Low Illumination Performance
- 30 Covert IR LED's
- 10m IR Range (In Ideal Conditions)
- 3D DNR
- Sens-Up
- D-WDR
- Simple Mode Change by OSD (AHD, CVI, TVI or Analogue)
- One Way Audio (Option)
- DC12V

### Dimensions (mm)





## Technical Specification

Model Number	GAHDCMIR
Image Sensor	1/2.8" Sony Exmor CMOS image sensor
Resolution	1080P, 720P/NTSC/ PAL CVBS
Lens	2.9mm MP Lens
Scanning System	Progressive
Video Output	AHD, CVI, TVI or Analogue
S/N Ratio	More than 50dB (AGC Off)
Minimum Illumination	Colour: 1.0 Lux, B&W: 0.5 Lux Colour DSS: 0.002 Lux, B&W DSS: 0.0008 Lux IR On: 0.000 Lux
D-WDR	Off / 0~8
Sens-Up	Off / x2 - x30
Backlight	Off / BLC / HSBLC
DNR	Off / Low / Middle / High
Privacy Mask	4 Masks
Motion Detection	Off / On
Power	DC12V ±10%
Power Consumption	Max 4.0 Watt at IR On Max 1.0 Watt at IR Off
Operating Conditions	Temperature: -10°C ~ 50°C Humidity: 10-85%
Dimensions (W x L x H)	190 x 140 x 42.3 mm
Weight	390g

Genie CCTV reserves the right to change specifications without notice. Please contact your representative to confirm current specifications.

## Accessories

- **FILTERKIT4** - Filter Set Up Kit
- **PSU1SM** - In-Line DC12V 1A Output, Regulated Switch Mode PSU, with Fixing Mount