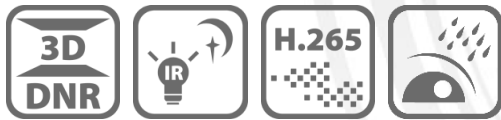


IPC-B621H-V/Z 2.0 MP VF Network Bullet Camera



Key Features

- 1/2.8" Progressive scan CMOS
- 1920 × 1080@30fps
- 2.8 mm to 8 mm manual/motorized (with -Z) varifocal lens
- H.265+, H.265, H.264+, H.264
- Dual stream
- 3D DNR (Digital Noise Reduction)
- Up to 20 m IR range
- PoE (Power over Ethernet)
- IP66

Specification

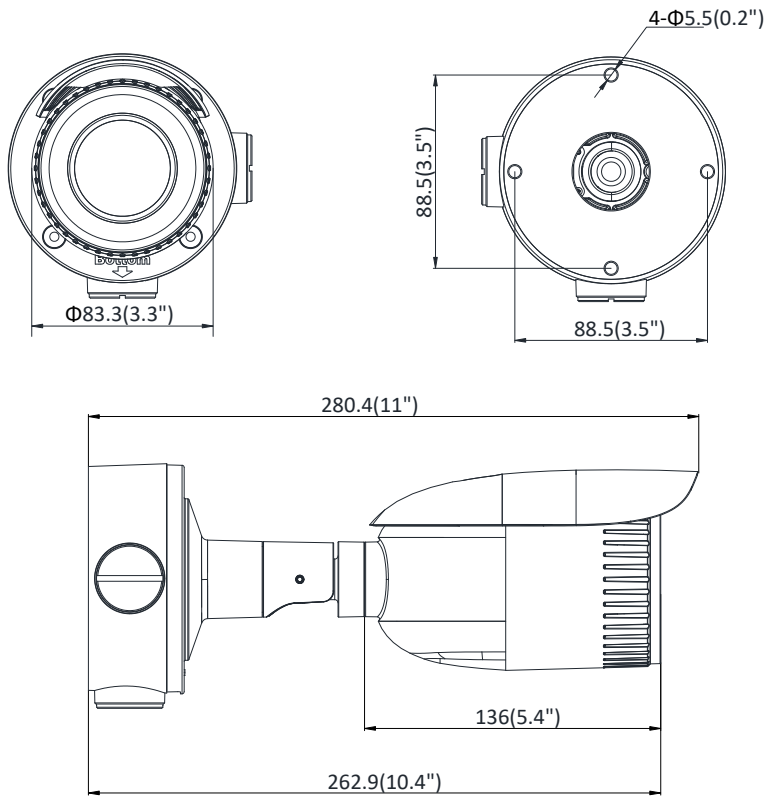
Camera	
Image Sensor	1/2.8" Progressive scan CMOS
Min. Illumination	Color: 0.01 Lux @ (F1.2, AGC ON), 0.025 Lux @ (F1.9, AGC ON)
Shutter Speed	1/3 s to 1/100, 000 s
Slow Shutter	Yes
Auto-Iris	No
Day & Night	IR cut filter
Digital Noise Reduction	3D DNR
WDR	Digital WDR
Angle Adjustment	Pan: 0° to 360°, tilt: 0° to 90°, rotate: 0° to 360°
Lens	
Focal length	2.8 to 8 mm
Aperture	F1.9
Focus	Without -Z model: Manual -Z model: Auto
FOV	Horizontal field of view: 111° to 54.7° Vertical field of view: 57.8° to 30.5° Diagonal field of view: 134° to 63°
Lens Mount	Φ14
IR	
IR Range	Up to 20 m
Wavelength	850 nm
Compression Standard	
Video Compression	Main stream: H.265/H.264 Sub-stream: H.265/H.264/MJPEG
H.264 Type	Baseline Profile/Main Profile/High Profile
H.264+	Main stream supports
H.265 Type	Main Profile
H.265+	Main stream supports
Video Bit Rate	32 Kbps to 8 Mbps
Image	
Max. Resolution	1920 × 1080
Main Stream	50Hz: 25fps (1920 × 1080, 1280 × 960, 1280 × 720) 60Hz: 30fps (1920 × 1080, 1280 × 960, 1280 × 720)
Sub-stream	50Hz: 25fps (640 × 480, 640 × 360, 320 × 240) 60Hz: 30fps (640 × 480, 640 × 360, 320 × 240)
Image Enhancement	BLC, 3D DNR
Image Setting	Rotate mode, saturation, brightness, contrast, sharpness, AGC, white balance adjustable by client software or web browser
Region of Interest	1 fixed region for main stream
Day/Night Switch	Day/Night/Auto/Schedule
Network	
Network Storage	Support Micro SD/SDHC/SDXC card (128G), local storage and ANR
Alarm Trigger	Motion detection, video tampering detection, network disconnected, IP address conflict, illegal login, HDD full, HDD error
Protocols	TCP/IP, ICMP, HTTP, HTTPS, FTP, DHCP, DNS, DDNS, RTP, RTSP, RTCP, NTP, UPnP, SMTP, IGMP, 802.1X, QoS, IPv6, UDP, Bonjour

General Function	One-key reset, anti-flicker, heartbeat, mirror, password protection, privacy mask, watermark
Firmware Version	5.5.82
API	ONVIF (PROFILE S, PROFILE G), ISAPI
Simultaneous Live View	Up to 6 channels
User/Host	Up to 32 users 3 levels: Administrator, Operator and User
Client	HiLookVision PC Client, HiLookVision App
Web Browser	IE8+, Chrome 41.0-44, Firefox 30.0-51, Safari 8.0-11
Interface	
Audio	Built-in mic
Communication Interface	1 RJ45 10M/100M self-adaptive Ethernet port
Video Output (Without -Z)	1Vp-p composite output (75 Ω/BNC)
On-board storage	Built-in microSD/SDHC/SDXC slot, up to 128 GB
Reset Button	Yes
Audio	
Environment Noise Filtering	Yes
Audio Sampling Rate	8 kHz/16 kHz/32 kHz/44.1 kHz/48 kHz
Audio Compression	G.711/G.722.1/G.726/MP2L2/PCM
Audio Bit Rate	64 Kbps (G.711)/16 Kbps (G.722.1)/16 Kbps (G.726)/32 to 192 Kbps (MP2L2)
General	
Operating Conditions	-30 °C to 60 °C (-22 °F to 140 °F), humidity: 95% or less (non-condensing)
Power Supply	12 VDC ± 25%, 5.5 mm coaxial power plug PoE (802.3af, class 3)
Power Consumption and Current	-Z model: 12 VDC, 0.9 A, max. 11 W; PoE: (802.3af, 36 V to 57 V), 0.4 A to 0.2 A, max. 12.9 W Without -Z model: 12 VDC, 0.6 A, max. 7 W; PoE:(802.3af, 36 V to 57 V), 0.3 A to 0.1 A, max. 9 W
Protection Level	IP66
Material	Front & Back cover: metal
Dimensions	Camera: Φ 105 mm × 244.4 mm (4.1" × 9.6") With package: 315 mm × 137 mm × 141 mm (12.4" × 5.4" × 5.6")
Weight	Camera: Approx. 700 g (1.5 lb.) With package: Approx. 1100 g (2.4 lb.)

Available Model

IPC-B621H-V (2.8 mm to 8 mm),
IPC-B621H-Z (2.8 mm to 8 mm)

Dimension



Unit: mm(inch)

Accessory



HIA-B301

Vertical Pole Mount



HIA-B201

Corner Mount



HIA-J105

Junction Box



HIA-J102

Junction Box