



## LED-W560

LCD/TFT VESA full swing Wall mount for screens up to 60" (150 cm)

### Overview

---

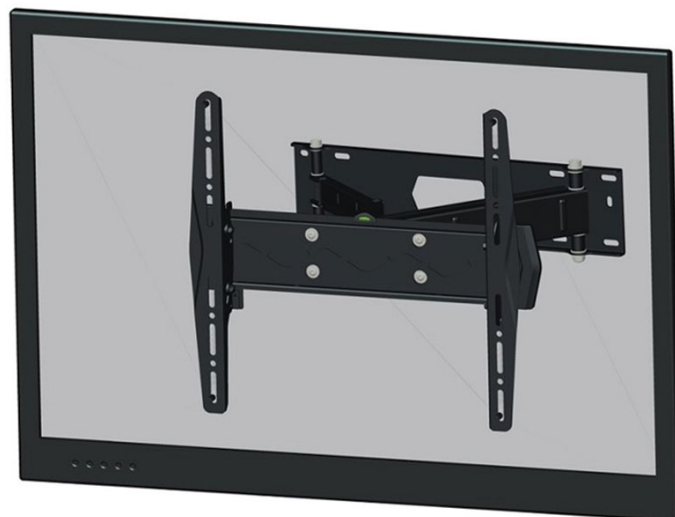
The LED-W560 is an LCD/TFT full swing wall mount which allows you to mount LCD screens up to 60" to a wall. This wall mount allows users to tilt and swivel your screen very easily.

The wall mount can easily be attached using the universal VESA hole pattern.

### Suitable products

---

This accessory is ideal for use in combination with the UVM-3200 and UVM-4200.



### Standard Features

---

- Supports monitors up to 60"
- VESA compatible
- Tilt 20°
- Swivel 110°

# LED-W560

LCD/TFT VESA full swing Wall mount for screens up to 60" (150 cm)

## Specifications

### Product features

Color:	Black
Max. Weight:	50 kg (110lbs)
Screen size support:	32" - 60"
Distance to wall:	92-380 mm
Amt of mountable screens:	1
VESA minimum	75x75 mm
VESA maximum	600x400 mm

### Supported products

UVM-3200
UVM-4200

## Ordering Information

Part No.	Description
LED-W560	LCD/TFT VESA full swing Wall mount for screens up to 60" (150 cm)

