

MULTICHANNEL POWER SUPPLIES

metal box switching mode - without battery backup

- Ideal for CCTV
- Locking of box by key
- Embedded self-protection
- 1 LED on front (mains presence)



ADCCTV1203-04

ADCCTV1205-08

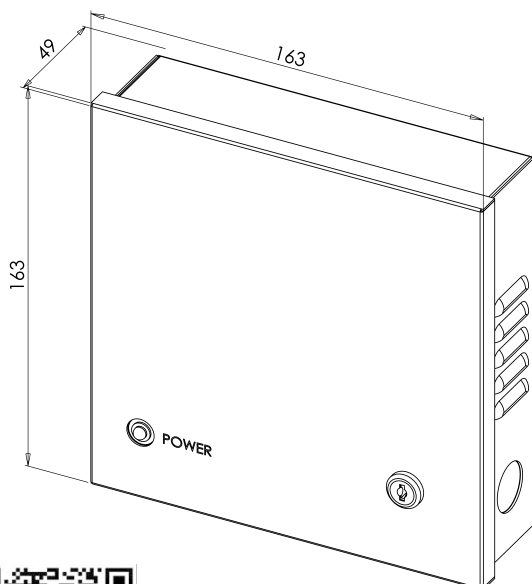
PRODUCT FEATURES

References	V IN	V OUT	I (A)	I (A)	W	°C	IP
ADCCTV1203-04	110V - 240V AC	12V DC	3 A	0,9 A	36 W	0 +40 °C	40
ADCCTV1205-08	110V - 240V AC	12V DC	5 A	0,9 A	60 W	0 +40 °C	40
ADCCTV1210-09	110V - 240V AC	12V DC	10 A	1,2 A	120 W	0 +40 °C	40
ADCCTV1216-16	110V - 240V AC	12V DC	16 A	1 A	192 W	0 +40 °C	40

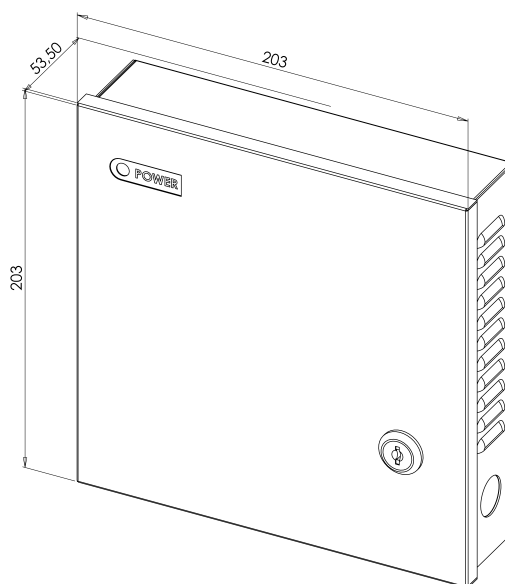


Multichannel with protection by electronic fuse PTC

Item Code	Description	Weight in kg	Custom code
ADCCTV1203-04	CCTV switching mode power supply 12V DC 3 A 4 ways (0,9 A) no battery backup	0,892	85044090
ADCCTV1205-08	CCTV switching mode power supply 12V DC 5 A 8 ways (0,9 A) no battery backup	1,145	85044090
ADCCTV1210-09	CCTV switching mode power supply 12V DC 10 A 9 ways (1,2 A) no battery backup	1,32	85044090
ADCCTV1216-16	CCTV switching mode power supply 12V DC 16 A 16 ways (1 A) - no battery backup	2,027	85044090



ADCCTV1203-04



ADCCTV1205-08

