



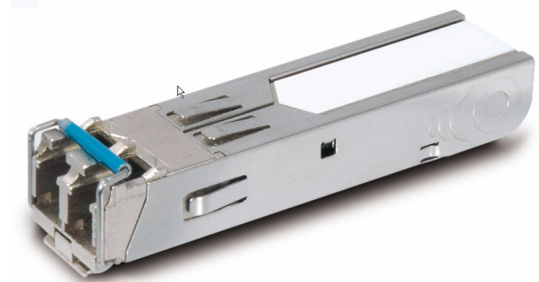
Product Data Sheet

S35-2SLC-10

SFP-Port Gigabit Mini GBIC Transceiver Module (1310nm) - 10Km - SM - Wide-Temp.

Overview

The UTC Fire & Security transceiver module is specifically designed to accommodate high-performance optical fiber, including integrated duplex data link over single mode. Compliant with the SFP Multisource Agreement (MSA), these transceiver modules feature hot-plug capability for easy installation without interrupting host equipment operating online. The SFP GBIC transceiver module can install into UTC Fire & Security switch products with 100Base-FX or 1000Base-SX/LX SFP interface.



Standard Features

- SFP multi-source agreement compliant
- Data rate 1.25 Gbps
- Class 1 laser safety standard IEC 60825 compliant
- LC duplex receptacle
- Low power dissipation
- Plug-and-play capability for easy installation
- Hot Pluggable
- -40°C to +75°C operation temperature
- TTL signal detect indicator
- Single power supply 3.3V
- Comply with the IEEE 802.3ab

S35-2SLC-10

SFP-Port Gigabit Mini GBIC Transceiver Module (1310nm) - 10Km - SM - Wide-Temp.

Specifications

SFP specific features

General

- Number of Fibers : 2
- Fiber Type : Single-Mode
- Max. Distance : 10km
- TX \ RX Wavelength : 1310nm \ 1310nm
- TX Wavelength 1310nm
- Datarate : 1.25Gbps
- PHY Type : 1000Base-LX
- Power (dBm) -9.5 ~ -3
- RX Sen. (dBm) -20
- Power Budget 105

Electrical and Mechanical

- Input Voltage 3.3V DC
- Dimensions (W x D x H) 2.20 x 0.59 x 0.49 in. (59 x 15 x 12.4 mm)
- Weight (ounces, grams) 0.6 oz, 18g
- Storage Temperature -40 ~ 85° C
- Relative Humidity 5% ~ 95% (non-condensing)
- Reliability >50,000 hrs @ 25° C

Transmitter Electro-Optical Interface

- EMI EN 55022 CLASS A:2006+A1 : 2007 / EN61000-3-2:2006 / EN61000-3-3:1995+A1:2001+A2:2005
- Optical Output Power : Min. : -9.5dBm, Type : - , Max. : -3dBm
- Power Budget : 10.5
- Receiver : -20dBm

Environmental Specifications

- Operating Temperature : -40°C~+75°C
- Operating Relative Humidity : 5%~95% (non-condensing)
- Storage Temperature : -40°C~+85°C
- Storage Relative Humidity : 5%~95% (non-condensing)

Electrical Specification

- Input Voltage : 3.3V DC
- AS/NZS CISPR 22 : 2006

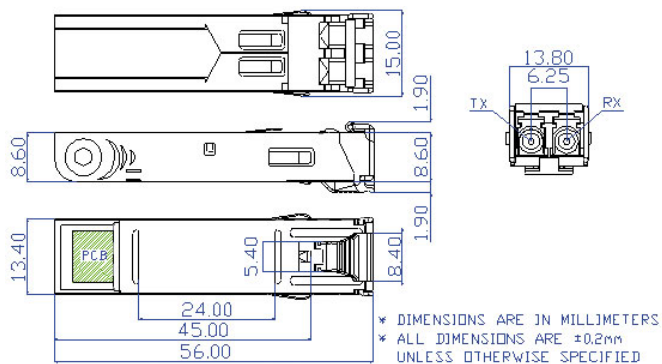
Reliability

- MTBF : > 50,000 hrs @ 25°C

Standards Conformance

- Standards Compliance : IEEE 802.3ab Fast Ethernet Standard
- Standards Compliance : Class 1 laser product complies with EN 60825-1

Diagram



Ordering Information

S35-2SLC-10
SFP-Port Gigabit Mini GBIC Transceiver Module (1310nm) -
10Km - SM - Wide-Temp.

S30-2SLC-10
SFP-Port Gigabit Mini GBIC Transceiver Module (1310nm) -
10Km - SM

