

SNAPCOM



MMS Advanced GSM Intercom

Sends out a snapshot of the caller straight to your mobile before you answer.

- Works with a contract GSM Nano SIM card with MMS plan (recommended) or a Pre-Pay SIM card.
- Comes with optional contract SIM, unlimited calls and texts (UK/IRE only) (Please check out www.aesglobaltelecom.com for sim card information)
- **NEW AES Pro app** for installer programming with home owner option on app: able to trigger gates, set up auto opening and closing times, create new access codes, receive notifications on entry, etc.





SNAPCOM



Set automatic gate open & close times.



DDA LEDs. (Call/ relay status indicators).



Illuminated call button and keypad.



Add keypad codes by App.



Issue time restricted codes.



Visitor snapshot sent to mobile by MMS messaging.



LED strip lighting for high quality MMS snapshot.



User history log to your phone.



High gain antenna as standard!



2x Relays

Technical Details

Dial Out Numbers	4
Permanent Codes	250
Time Restricted Codes	250
Temporary Codes	50
Automatic Trigger Events per Week	50
Caller ID Numbers	250
Time Restricted Caller ID Numbers	250

Relays	2
Relay Type	N/C and N/O
Relay Load	2 amps, 24v ac max
Power Consumption	400mA on dial out, 2amp peak demand
Modem Models	4G Europe, 4G USA, 4G AUS/NZ
Power Supply	24v dc (24v dc 2A adaptor included)



NEW AES PRO APP, user friendly. With Installer and homeowner capabilities.



Architectural Panels

Network code for part number.

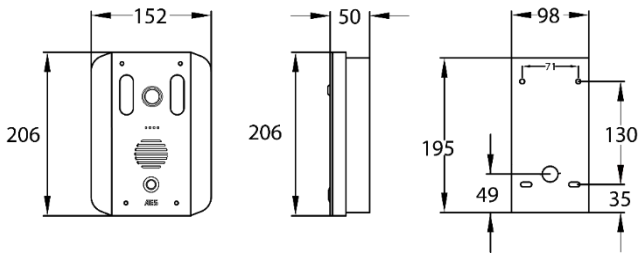
EU (Europe)

US (USA)

AU (Australia & NZ)

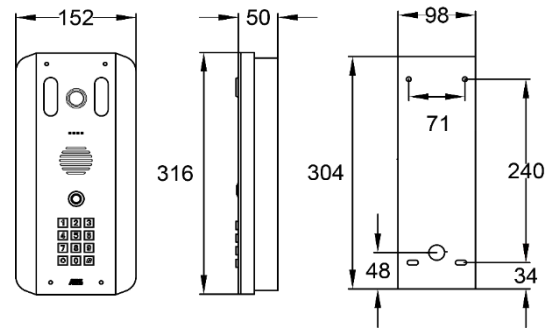
SNAP-AB-EU

Stylish curved architectural model. Constructed from BS316 marine grade stainless steel and finished with gloss black acrylic faceplate. Blue illuminated backlighting.



SNAP-ABK-EU

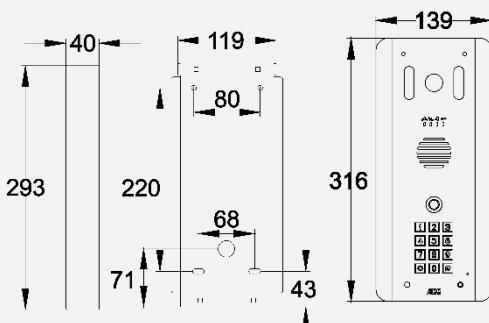
Stylish curved architectural model. Constructed from BS316 marine grade stainless steel and finished with gloss black acrylic faceplate. Blue illuminated back lighting & keypad.



Imperial Panels

SNAP-FBK-EU

Flush wall model. Constructed from BS316 marine grade stainless steel and finished with gloss acrylic faceplate. Blue illuminated button.



SNAP-IBK-EU

Sleek all black imperial model with keypad. Constructed from BS316 marine grade stainless steel and finished with gloss acrylic faceplate. White illuminated keypad.

