

Clarius®



Small IR LED Illuminator

The **Clarius® Plus** range of high performance Infra-Red LED illuminators are designed to provide class leading performance, long life and ultra low maintenance.

Incorporating the latest surface mount **Dual Core®** LED's with enhanced optical output and outstanding reliability, they deliver excellent night-time images.

Each unit is fitted with integrated control circuitry to carefully control LED output, delivering consistent illumination and projected working life in excess of 10 years.

The **Clarius® Plus** range of illuminators includes a new interchangeable lens diffuser system; which allows the user to quickly and easily alter the angle of illumination. Elliptical beam profiles allow more light to be delivered where it is needed, allowing both longer distances and minimising light wastage. The system also helps to prevent overexposure of foreground objects.

As standard the illuminator includes interchangeable lensing to deliver 10° circular, 20°, 30°, 60°, 80° and 95° elliptical beam profiles.

Installation is quick and easy, requiring only 12-32V DC / 24V AC +/-10%.

PRODUCT CODES

IS-8 Small Clarius PLUS Infra-Red Illuminator 850nm

IS-9 Small Clarius PLUS Infra-Red Illuminator 940nm

FEATURES

Latest Dual Core® SMT LED technology
Distances up to 132m (434')
Angle 10°, 20°, 30°, 60°, 80° & 95°
Elliptical beam profiles
850nm or 940nm wavelengths
Low power consumption (15W)
Long life
5 year warranty
IP66 weather proof rating
Built-in photocell IR On/Off
Photocell following contact
Telemetry input for camera day/night remote switching
12-32V DC / 24V AC +/-10%
CleanLITE® Self cleaning lens coating technology
High quality anodised aluminium heatsink
Pressure equalisation vent



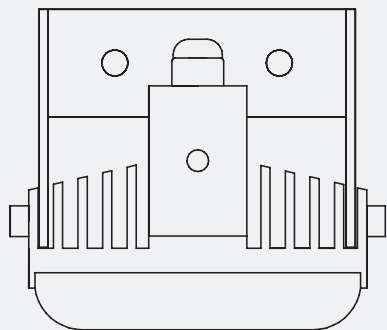
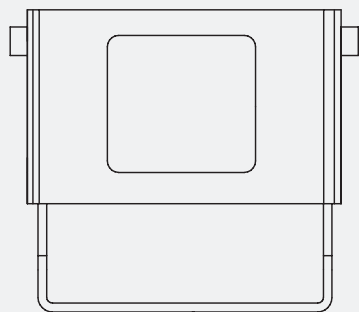
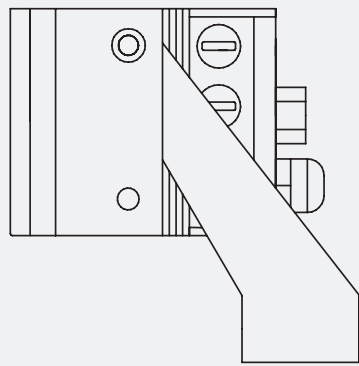
Recommended PSU ALT-30-24



Product Code	Wavelength	Angle	Distance		FOV	
IS-8	850nm	10° - Circular	132m	434'	23m	76'
		20° - Elliptical	90m	296'	32m	104'
		30° - Elliptical	66m	217'	35m	116'
		60° - Elliptical	42m	138'	49m	159'
		80° - Elliptical	30m	99'	50m	165'
		95° - Elliptical	21m	69'	46m	151'
IS-9	940nm	10° - Circular	81m	266'	14m	47'
		20° - Elliptical	48m	158'	17m	56'
		30° - Elliptical	39m	128'	21m	69'
		60° - Elliptical	24m	79'	28m	91'
		80° - Elliptical	18m	59'	30m	99'
		95° - Elliptical	12m	39'	26m	86'

Other angles available on request.

TECHNICAL SPECIFICATIONS



GENERAL

Electronics

High Efficiency Surface Mount High Power **Dual Core**® With Advanced Current Limited Integral Control Circuitry

Construction Front Window

Robust High Quality Aluminium Extrusion
Polycarbonate High Transmission Protective (Vandal Proof) IR Filter with **CleanLITE**® Technology

Finish Power Cable

Black Anodised
3m (9ft) including Photocell Following Contact & Remote Telemetry Input

Pressure Equalisation Vent Photocell

Prevents Thermal Expansion & Pressure Cycling
Adjustable 20 -70 Lux

Illumination

Adjustable 10% - 100%

Operating Temperature

-50° to 50°C (-58° to 122°F)

Weight

750g (1.6lbs)

Mount

Powder Coated Stainless Steel Wall Mount

Dimensions

68 x 110 x 78mm (2.68" x 4.33" x 3.07")

ELECTRICAL

Input Voltage

12-32V DC or 24V AC +/-10%

Input Current

0.6A at 24V AC

Consumption

15W

WAVELENGTH

Standard

850nm (Semi Covert). Faint Red Glow Only

Optional

940nm (Covert). Minimal Visible Glow

CERTIFICATIONS

WEEE

Waste Electrical & Electronic Equipment European Directive 2012/19/EC

Environmental

IEC/EN 60529

IP66

RoHS

Restriction Of Hazardous Substance European Directive 2012/19/EC

IEC/EN 62262
EN 50130-5

IK09
(Alarm-environmental)

N2580, EN 50581

(RoHS), REACH

CE-EMC

EN 61547
EN 55015
EN 62493
EN 50130-4

(Lighting-Immunity)
(Lighting-Emission)
(Lighting-EMF)
(Alarm-EMC)

USA

cULus, UL 1598
FCC, Class B

AUS

RCM (AS/NZS CISPR 22 Class B)

CE-LVD

EN 60598-1
EN 60598-2-1
EN 62368-1 / EN 60950-22

(Luminaires-General)
(Luminaires)

Safety

EN 62471

(LED safety)

