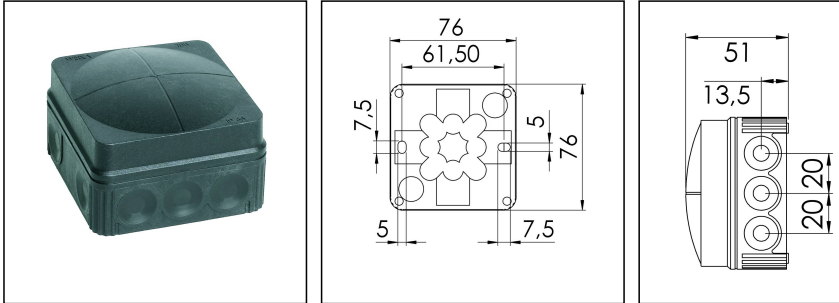


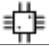
## COMBI 108/empty/S

Junction box, polypropylene



Product illustrations are exemplary and may differ from the chosen product. Further variants and individual customization, we will gladly provide you on request.



|                                     |   |
|-------------------------------------|---|
| <b>Material</b>                     | Polypropylene   |
| <b>Material sealing gasket</b>      | TPE   |
| <b>Temp. range min</b>              | -30 °C  |
| <b>Temp. range max</b>              | 100 °C  |
| <b>Temperatures during install.</b> | -5 °C - 60 °C   |
| <b>Protection class</b>             | IP66  |
| <b>Glow wire test</b>               | 750 °C  |
| <b>Voltage</b>                      | 400 V   |
| <b>Terminals/poles</b>              | 2,5 mm <sup>2</sup>   |
| <b>Fixing</b>                       | 2 internal openings   |
| <b>Ø cable diameter min</b>         | 3 mm  |
| <b>Ø cable diameter max</b>         | 14 mm   |
| <b>External dimensions LxWxH</b>    | 76 x 76 x 51mm  |
| <b>Using for cable gland</b>        |  |
| <b>Product Color</b>                | RAL 9005  |
| <b>WISKA-Order no.</b>              | 10061999  |
| <b>Type</b>                         | COMBI 108/empty/S   |
| <b>Packing unit</b>                 | 10  |
| <b>ETIM-Classification</b>          | EC002600  |

Remarks:

Fixing: By mounting clip or two internal openings outside of the sealing area

Equipment: 10 elastic self-sealing puncture-membranes for cable entry on the side and 2 in the bottom

Recommended accessories

|                                       |          |
|---------------------------------------|----------|
| <b>DIN Rail Kit - COMBI 108 / 308</b> | 10060362 |
| <b>SMB 108</b>                        | 10060528 |
| <b>SP-HKT 11/5 Terminal block</b>     | 22000406 |

18.03.2017

