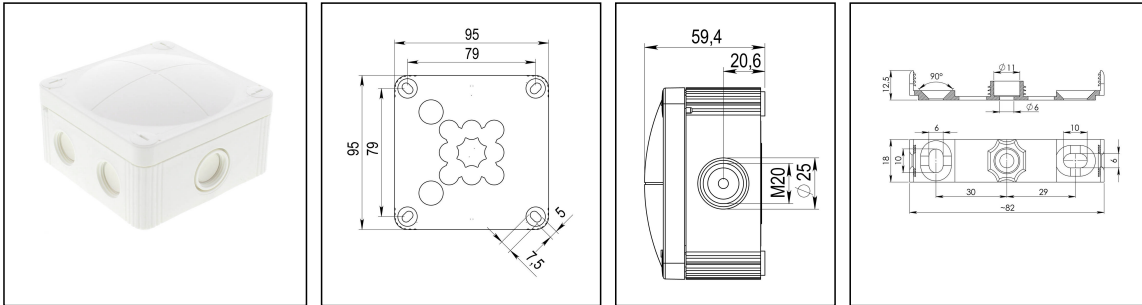


COMBI 407/empty/W



Product illustrations are exemplary and may differ from the chosen product. Further variants and individual customization, we will gladly provide you on request.



| | |
|-------------------------------------|------------------------|
| Material | Polypropylene |
| Material sealing gasket | TPE |
| Temp. range min | -30 °C |
| Temp. range max | 100 °C |
| Temperatures during install. | -5 °C - 60 °C |
| Protection class | IP66/67 |
| Glow wire test | 750 °C |
| Voltage | 690 V |
| Terminals/poles | 4 mm ² |
| Fixing | 4 internal openings |
| Ø cable diameter min | 3 mm |
| Ø cable diameter max | 12 mm |
| External dimensions LxWxH | 95 x 95 x 60mm |
| Type of cable gland | M 20 x 1,5, M 25 x 1,5 |
| Using for cable gland | |
| Product Color | RAL 9001 |
| WISKA-Order no. | 10105598 |
| Type | COMBI 407/empty/W |
| Packing unit | 5 |
| ETIM-Classification | EC002600 |

Remarks:

IP66: using the membrane entry

IP67: using the threaded entry together with ESKV cable gland

Fixing:

WISKA Hoppmann GmbH
Kisdorfer Weg 28 · 24568 Kaltenkirchen · Germany
☎ +49-4191-508-0 · 📠 +49-4191-508-209
contact@wiska.com · www.wiska.com

With mounting clip or 4 internal openings outside of the sealing area

Equipment:

- 6x M20 threaded membrane entries and 1 middle M20 threaded membrane entry with knockout to M25
- 2 membrane cable entries through rear
- 4 captive cover screws
- including mounting clip

Recommended accessories

| | |
|-----------------------------------|----------|
| DIN Rail Kit 407/TS 15 | 10105604 |
| DIN Rail Kit 407/TS 35 | 10105605 |
| External mounting - COMBI | 10108836 |
| SP-HKT 11/5 Terminal block | 22000406 |

Spare parts

| | |
|--------------------|----------|
| SMB 308/407 | 10101293 |
|--------------------|----------|

18.03.2017



