

Porta Systems durable Video Balun Combiners are an economical solution for combining video, power and data over a single CAT 3 or better cable for distances up to 1000 ft. (305m).



FEATURES & BENEFITS

- Combines video, power and data into a single UTP cable
- Eliminates costly and bulky coaxial cable
- Negligible signal loss and distortion
- Allows neater and more streamlined cabling
- Easy installation

Applications

- Intra-building CCTV installations (instead of coaxial cable)
- Structured cabling

Wire and Cable Configuration

Female BNC connector with RJ45 or 110 IDC terminals. Screw terminals for power and data accept wire gauges from 30 AWG through 16 AWG.

For more specific information regarding wire types and proper installation techniques, please call 800.93.PORTA for technical assistance.

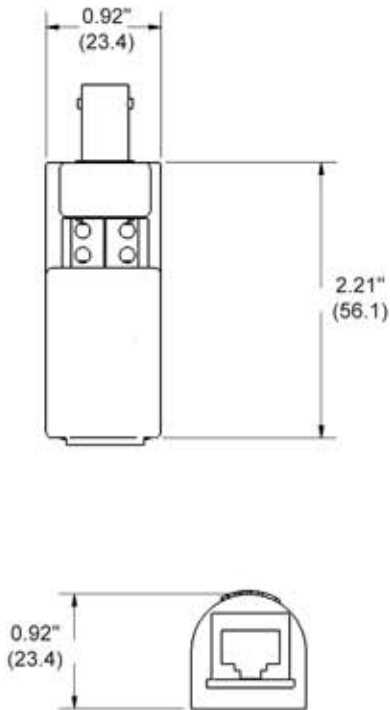
ORDERING INFORMATION

Model No.	Description
PS-112-110BC	Balun Combiner with female BNC and 110 IDC connector
PS-112-45BC	Balun Combiner with female BNC and RJ45 connector

Not Surge Protected

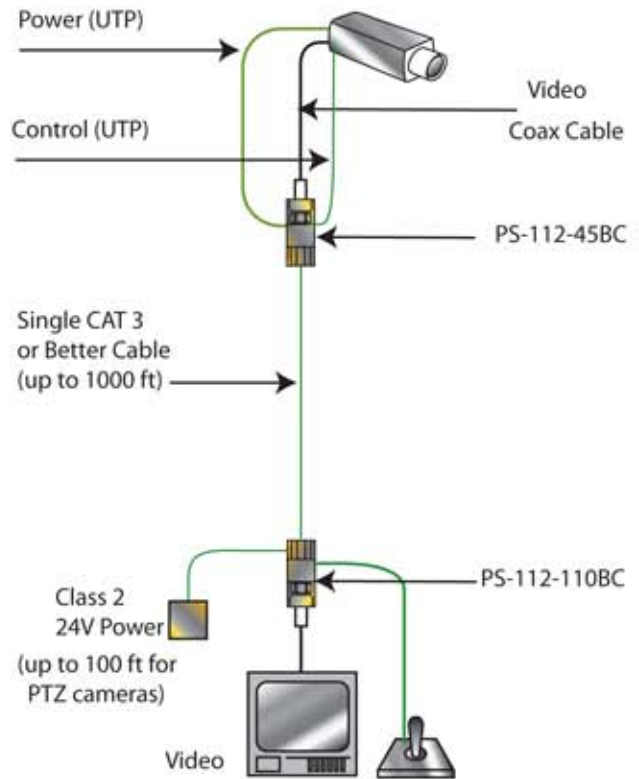
MECHANICAL SPECIFICATIONS*:

millimeters ()



* All models have the same dimensions.

APPLICATION DIAGRAM:



Weight (approx.)	Operating Temperature	Relative Humidity
3.2 oz 91 g	5°F to 113°F -15°C to 45°C	98% RH max non-condensing

Electrical Specifications

Frequency:	20 Hz to 10 MHz	Insertion Loss:	0.3 dB
Common Mode Rejection:	>50 dB (Typical)		
Power:	Not required	UTP Category:	≥3
Connection Method: (In/Out)	Video: BNC Female (In) Power: Screw Terminals (In) Data: Screw Terminals (In) RJ45 or 110 (Out)	Nominal Working Voltage:	Video - 5VDC Power - 24V Data - 5VDC
Impedance:	Coax Cable - 75Ω	Impedance:	UTP - 100Ω
Response Time:	<5 ns	Max Distance (UTP):	1000 ft (305m)