

Porta UTP Surge Protectors are a single or dual pair surge protectors for unshielded twisted pair (UTP). These units protect against damaging surges and keep surveillance systems protected and operating smoothly. These units must be housed in a NEMA rated safe box for all outdoor applications.



PS-221-5SP



PS-242-5SP2

FEATURES & BENEFITS

- Unique compact, lightweight design
- Will not distort video image
- Video can be transmitted over the same cable as telephone and computer signals
- Down time and service calls can be reduced drastically
- Built-in surge protection
- Easy installation

Applications

- Ideal video surge protection for cameras using PS-221-5SP
- Ideal surge protection of RS422 or RS485 control lines with PS-242-5SP2

Wire and Cable Configuration

Single or dual pair protector has screw terminals at the input and output for UTP cabling. Screw terminals accept wire gauges from 30 AWG through 16 AWG.

For more specific information regarding wire types and proper installation techniques, please call 800.93.PORTA for technical assistance.

ORDERING INFORMATION

Model No.	Description
PS-221-5SP	Single Pair UTP Surge Protector (5 Volt)
PS-242-5SP2	Dual Pair UTP Surge Protector (5 Volt)

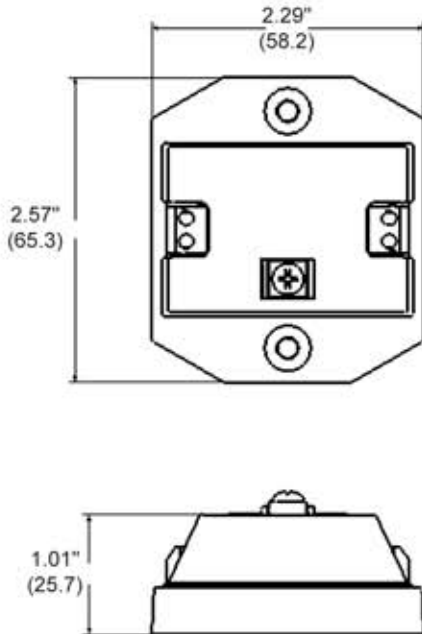
UTP CCTV SURGE PROTECTORS



Differential and Common Mode Surge Protection

MECHANICAL SPECIFICATIONS*:

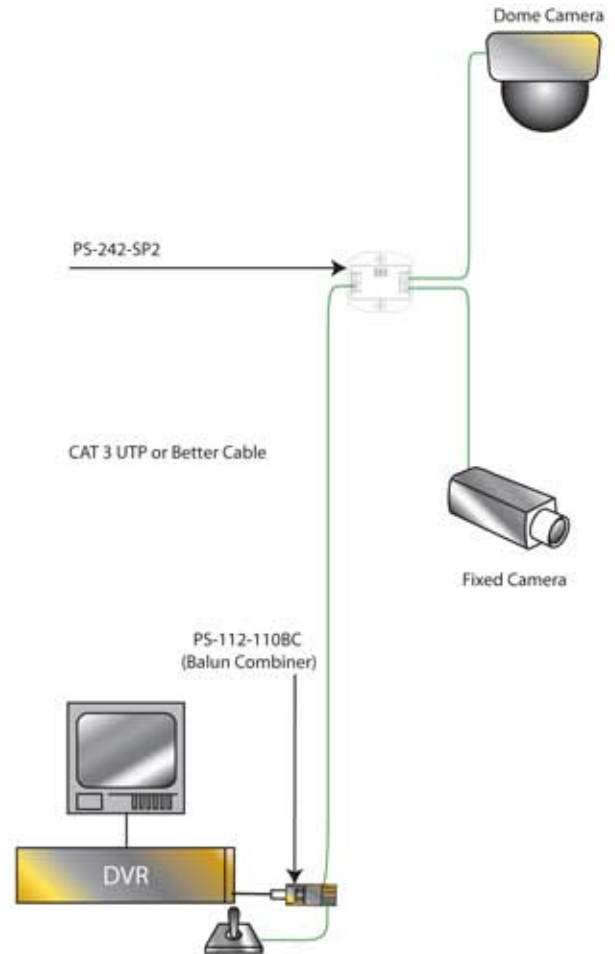
millimeters ()



* All models have the same dimensions.

Weight (approx.)	Operating Temperature	Relative Humidity
1.6 oz 45 g	5°F to 113°F -15°C to 45°C	98% RH max non-condensing

APPLICATION DIAGRAM:



Electrical Specifications

Frequency:	20 Hz to 10 MHz	Insertion Loss:	0.3 dB
Common Mode Rejection:	>50 dB (Typical)	UTP Category:	≥3
Power:	Not required	Nominal Working Voltage:	Video - 5VDC Data - 5VDC
Connection Method: (In/Out)	Video - Screw Terminals/Screw Terminals Data - Screw Terminals/Screw Terminals	Max Surge Current:	Video - 220A Data - 90A
DC Breakdown Voltage:	Video - 6.8VDC Data - 6.8VDC	Current Limits: (PS-242-5SP2)	360mA
Impedance:	UTP:100Ω		
Response Time:	<5 ns		