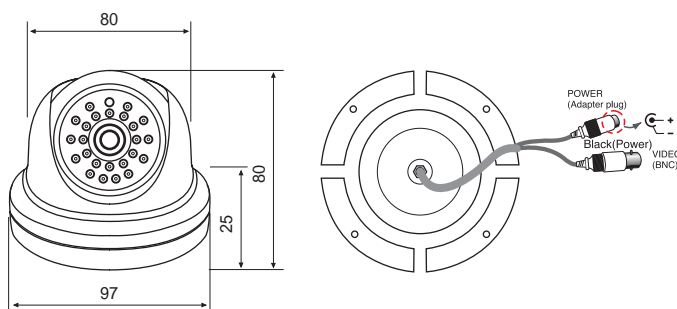


Dome

FIXED LENS EYEBALL IR DOME CAMERA

DTV-IRDOME

DIMENSIONS



SPECIFICATIONS

| TV system | NTSC | PAL |
|----------------------|-------------------------------|-----------------------|
| Image Sensor | 1/3" Sony Super HAD Color CCD | |
| Effective Pixels | (H)768 x (V) 494 | (H)752 x (V)582 |
| Shutter Speed | 1/60 - 1/100,000 | 1/50 - 1/100,000 |
| Scanning System | 525Lines, 60Field/Sec | 625Lines, 50Field/Sec |
| Sync. System | Internal Synchronization | |
| Resolution | 540 TV Lines | |
| Video Output | 1Vp-p 75ohm, Negative | |
| S/N Ratio | More Than 48dB (AGC Off) | |
| Min. Illumination | 0.0 Lux | |
| Gamma | r=0.45 | |
| White Balance | ATW | |
| White Balance Range | AWB, ATW (3,200~10,00K) | |
| Gain Control | AGC | |
| LED | 24 IR LEDs (850nm x 30degree) | |
| Lens | 4.3mm | |
| Power Consumption | DC 12V, 350mA (IR LED ON) | |
| Operating Temp. | -10℃ ~ 50℃ | |
| Operational Humidity | Within 90% RH | |
| Housing | Aluminum Die Casting | |

FEATURES

- ▶ 1/3" Sony Super HAD CCD
- ▶ 540 TV Lines
- ▶ 15m IR Range
- ▶ 0.1 Lux at F2.0 (CDS Sensor on 0.00 Lux)
- ▶ High Quality Image
- ▶ 4.3mm Fixed Lens
- ▶ Built in 24 IR LEDs
- ▶ Weatherproof armoured dome
- ▶ 3 Axis gimbal

