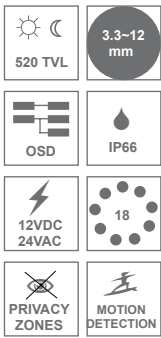


Our true day/night vandal proof domes with integrated infrared will give you the best quality pictures no matter what the lighting conditions are. They are an excellent offering for installations in high risk/abuse scenarios.



D410-THRE3V12L

Features

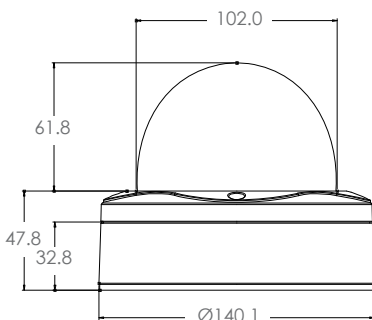
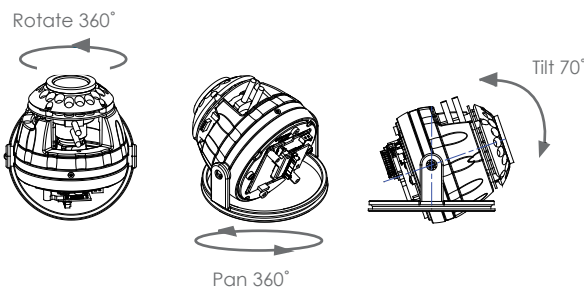
- Die-cast aluminium shell with polycarbonate bubble
- Surface mount
- Indoor/Outdoor use
- Built to IP66
- 1/3" CCD true Day/ Night colour CCD with removable IR cut filter
- High resolution: 520 TVL
- 0.3 Lux @ F1.2, 0.0 Lux @ F1.2 with IR Leds ON
- 18 IR LEDs
- IR Distance: 18m
- 3.3~12mm lens
- Operates on 12VDC/24VAC
- 4 privacy masking zones
- Second video output
- Service lead for easy configuration included



Colour Mode



Night Mode with IR Leds ON



Unit: mm

General Specifications

Camera	1/3" CCD True Day/ Night Colour CCD with removable IR Cut filter
Sensitivity	0.3Lux @ F1.2
Resolution	520TVL
Signal to Noise Ratio	50dB
Lens	3.3~12mm F1.5 Aspherical Varifocal lens with DC Auto Iris or Manual Fixed Iris setting
Additional Features	On Screen Display for Configuration of the following: Lens Level - fixed or Automatic White Balance - Automatic, One Touch or Manual BLC - 4 Levels AGC - 3 Levels DNR (Digital Noise Reduction) - 4 Levels Sens-Up
Special Features	Onscreen Camera ID Day/Night configuration Sync Setup - INT/LL Motion Detection - 4 configurable zones Privacy Masking - 4 configurable zones Mirror - reversal of image in horizontal plane Sharpness - edge enhancement
Voltage	DC 12V(10 - 20V) or AC24V(20 - 28V)
Power Consumption	DC12V : 5.7 W max., AC24V : 5.3 W max
Operation Temperature	-10°C ~ +55°C
Storage Temperature	-20°C ~ +70°C

Heater kit (Optional)

The D410-THRE3V12L is also available with a heater kit for operation down to -40°C. Reference to use: D410-THRE3V12LHTR.

Wall Mount Bracket D410-WMB (Optional)



Aluminium construction
Easy installation