

Fixed Focal-length Lenses



Security Systems



- High quality optics
- DC-iris and video-iris types
- Reliable, robust auto-iris mechanism
- 1/3-inch and 1/2-inch formats
- Standard C and CS-mounts
- Standard 4-pole miniature plug for simple connection

As CCTV cameras become more reliable and maintenance-free through the use of solid-state charge-coupled device (CCD) technology, the lenses also need to have the same high standards of quality and reliability.

The range of Fixed Focal-length Lenses meets these tough requirements by providing long and reliable operation with no maintenance. Comprising DC-IRIS and video-iris types, the lens range from wide-angle to telephoto to cover virtually all applications in CCTV observation systems.

Functions

Designed for easy installation onto a wide variety of CCTV cameras, they are available for cameras with 1/3" and 1/2" image sensor formats. The extent of the range of lenses means that an installer will always be able to select the most appropriate lens for both camera and application. DC-iris and video-iris lenses include manual focus adjustment types and can be used in applications with widely varying lighting conditions. These lenses are available with a standard 4-pole connector.

Installation/Configuration Notes

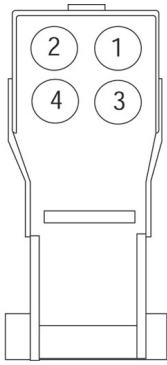
Choosing the correct lens

There is a simple relationship between the required field of view and the focal length of the lens to be used (see Field of View figure).

To determine this:

- Estimate or measure the maximum width "W" of the field of view.
- Estimate or measure the distance "D" between the camera and the object to be viewed.
- For 1/3" lens, use Graph 1 and for 1/2" lens use Graph 2. Find the point on the graph for the lens and the sensor format corresponding to the "W" and "D" co-ordinates. To ensure complete coverage of the object, select the lens indicated by the line above this object. Normally, for optimum coverage of the field of view, 1/3" and 1/2" lens are used with camera heads with 1/3" and 1/2" format sensors respectively. However, 1/2" lens may be used with 1/3" cameras but the outer areas of the field of view of the lens will not be seen by the sensor.

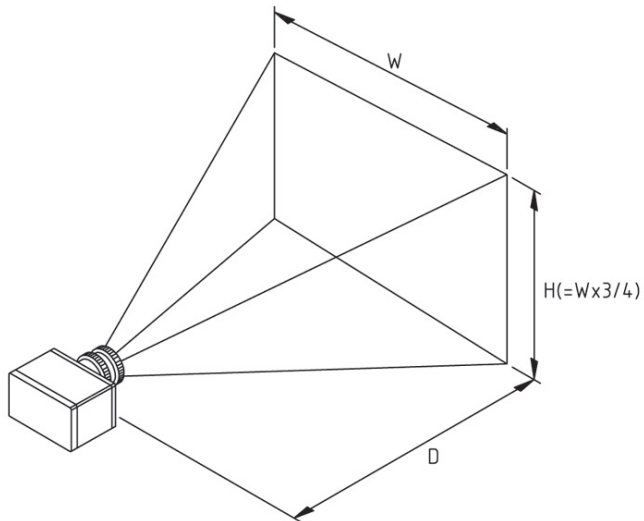
2 | Fixed Focal-length Lenses



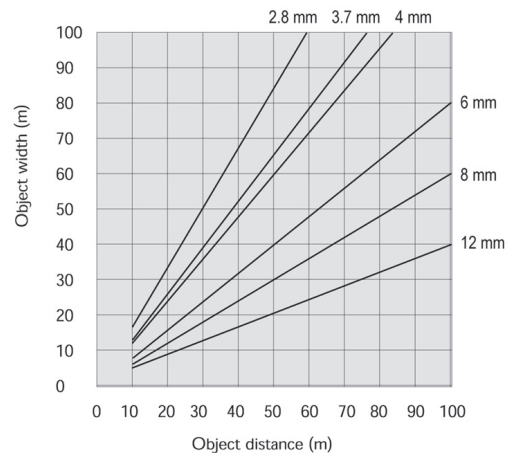
4-pin Connector (Front view)

DC-Iris 4-pin connection

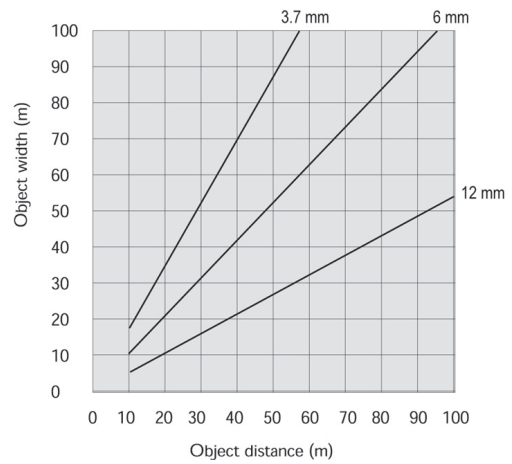
- Pin 1: Damping coil -
- Pin 2: Damping coil +
- Pin 3: Driving coil + (open)
- Pin 4: Driving coil -



Field of view



Graph 1 – Field of view (1/3-inch cameras)



Graph 2 – Field of view (1/2-inch cameras)

Ordering Information

Model & Description

LTC 3314/21

1/3-inch, 2.8mm, fixed-focus, DC-IRIS, CS-mount f/1.2-200, 4-pin

LTC 3334/21

1/3-inch, 4.0mm, fixed-focus, DC-IRIS, CS-mount f/1.2-200, 4-pin

LTC 3344/21

1/3-inch, 8.0mm, fixed-focus, DC-IRIS, CS-mount f/1.2-200, 4-pin

LTC 3214/20

1/2-inch, 3.7mm, fixed-focus, DC-IRIS, CS-mount f/1.6-300, 4-pin

LTC 3234/20

1/2-inch, 6.0mm, fixed-focus, DC-IRIS, CS-mount f/1.4-300, 4-pin

LTC 3244/20

1/2-inch, 12mm, fixed-focus, DC-IRIS, CS-mount f/1.4-300, 4-pin

Americas:

Bosch Security Systems
130 Perinton Parkway
Fairport, New York, 14450, USA
Phone: +1 585 223 4060
+1 800 289 0096
security.sales@us.bosch.com
<http://www.boschsecurity.us>

Europe, Middle East, Africa:

Bosch Security Systems B.V.
P.O. Box 80002
5600 JB Eindhoven, The Netherlands
Phone: +31 (0) 40 27 83955
Fax: +31 (0) 40 27 86668
emea.securitysystems@bosch.com
<http://www.boschsecurity.com>

Asia-Pacific:

Bosch Security Systems Pte Ltd
38C Jalan Pemimpin
Singapore 577180
Phone: +65 6319 3450
Fax: +65 6319 3499
apr.securitysystems@bosch.com
<http://www.boschsecurity.com>

BOSCH