

LTC 0610 Series Dinion^{XF} Color Cameras 540 TVL



Security Systems

- 15-bit DSP technology
- XF-Dynamic
- Bilinx communication
- NightSense
- Default shutter
- Lens wizard
- Auto black
- Video motion detection
- 540 TVL resolution



The LTC 0610 Series of High Performance 1/2-inch Digital CCD Color Cameras create the best possible image, even under the most difficult light and scene conditions. Based on unique 15-bit digital video processing technology and employing XF-Dynamic, these cameras provide the ultimate sensitivity with extended dynamic range. By employing the best 1/2-inch CCD available, advanced front end processing, combined with the outstanding Dinion DSP, the cameras achieve an astonishing sensitivity, providing better color images in low light situations and sharper daytime images.

Intelligent White balance algorithms, supported by a White Balance Hold function and even full manual white balance, ensure the most accurate color reproduction possible. All Dinion cameras are supplied ready to operate. Simply attach and focus the lens, and connect power to provide optimal pictures under virtually all scene conditions. No tools are required for back focus and power connection.

For extra challenging situations where fine tuning or special settings are required, the camera parameters can be individually set using the control buttons on the side of the camera and On-screen Display (OSD). Also, to aid

installation, the camera automatically detects the lens type, and using the Lens Wizard ensures accurate (back) focusing for perfectly sharp pictures at all times.

Functions

XF-Dynamic

Extended dynamic range is brought to a new level on the LTC 0610 Series Camera by XF-Dynamic technology. XF-Dynamic automatically processes the highly accurate 15-bit digital signal to optimally capture the detail in both the highlight and lowlight areas of the scene simultaneously, to maximize the information visible in the picture.

Bilinx Technology

The LTC 0610 series cameras incorporate Bilinx. Bilinx is a bidirectional communication capability embedded in the video signal of all Bosch Dinion cameras. With Bilinx technicians can check status, change camera settings and even update firmware from virtually anywhere along the video cable. Bilinx reduces service and installation time, provides for more accurate setup and adjustment, and improves overall performance. In addition, Bilinx uses the standard video cable to transmit alarm and status messages, providing superior performance without additional installation steps.

Video Motion Detection

The built-in video motion detector allows you to select up to four fully programmable areas with individual thresholds. The global scene change detector minimizes false alarms caused by sudden lighting condition changes, such as switching on or off the indoor or security lighting. When motion is detected alarms may be displayed in the video signal, the output relay can be closed in addition to alarm message transmission on Bilinx.

Auto Black

The automatic black level feature, enhances contrast by removing veiling glare from the picture or when contrast is reduced by fog or mist.

Default Shutter

When viewing moving objects a fast shutter speed is required. When using a fast shutter speed the lens opening or gain control needs to be increased to maintain the video signal. The camera sensitivity is limited by the fast shutter speed. The default shutter setting of the LTC 0610 offers the best of all worlds, fast shutter speed as long as there is sufficient light, however as the light level falls, when other adjustments have been exhausted, the shutter reverts to the standard setting maintaining the cameras excellent sensitivity.

Back Light Compensation (BLC)

Offering a fully programmable BLC area of interest, and a variable BLC level, the camera can be easily set up for even the most challenging entrance applications.

Lens Wizard

The LTC 0610 series automatically detects the type of lens installed. The Lens Wizard will focus the lens at the maximum lens opening, to ensure that focus is maintained throughout the entire 24-hour day/night cycle. No special tools or filters are required.

Programmable Modes

The camera supports three independent operating modes. The 3 modes are preprogrammed for typical applications, but are fully programmable for individual situations. Switching between modes is easy via Bilinx or the external alarm input.

NightSense

The LTC0610 cameras feature NightSense. With NightSense the sensitivity is increased by 9 dB in monochrome mode. NightSense can be automatically activated in low light situations, or remotely using Bilinx.

SensUp

By increasing the integration time on the CCD up to 10 times, the effective sensitivity is dramatically enhanced, especially useful where there is no artificial lighting and you rely on the moon, stars and scattered radiation.

Parts Included

Qty	Components
1	LTC 0610 Series Dinion ^{XF} Color Camera
1	Spare male 4 – pin lens connector

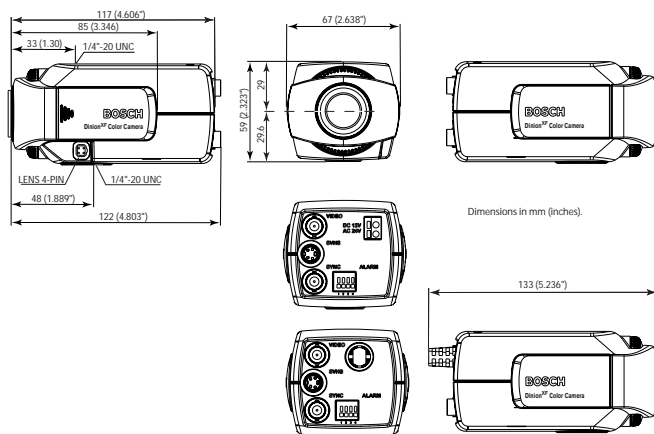
Certifications and Approvals

Electro Magnetic Compatibility	
Emission	EN55022 class B, FCC class B part 15
Immunity	EN50130-4 Alarm Systems, Part 4
Vibration	Camera with 500 gr (1.1 lbs) lens according to IEC60068-2-27

Safety

EN60065 (/11 and /51 models)
UL6500, cUL CAN/CSA E60065-00 (/21 and /61 models)

Installation/Configuration Notes



Dimensions in mm (inches)

Technical Specifications		
Electrical		
Type No.	LTC 0610/11	LTC 0610/21
	LTC 0610/51	LTC 0610/61
CCD type	1/2-inch interline	
Active pixels	752 x 582 (PAL)	768x492 (NTSC)
Sensitivity (Full video)*	1.4lux	
Sensitivity 50 IRE*	0.35lux / 0.14lux (NightSense)	
Minimum Illumination*	0.18lux / 0.008lux (NightSense)	
Minimum Illumination with Sens Up	0.018lux / 0.08lux (NightSense)	
Minimum Resolution	540 TVL	
SNR	> 50dB	
Video output	1Vpp, 75Ω	
Y/C output	Y: 1Vpp / C: 0.3Vpp	
Sync.	Internal, Line Lock, HV-lock and Genlock (Burst lock) selectable	
Shutter	Auto (1/60 (1/50) to 1/500000), Fixed, Flickerless, Default	
NightSense	Auto, Forced, Off	
Sensitivity up	Off, Automatic continuous up to 10x	
Auto Black	On, Off selectable	
Dynamic Range	32x dynamic range enhancement	
Dynamic Noise Reduction	Auto, Off selectable	
Contour	Sharpness enhancement level selectable	
BLC	Off, Area and Level selectable	
Gain	Auto (maximum level selectable to 28dB) or fixed level selectable	
Lens Mount	C/CS	
White balance	ATW (2500 - 10000K), AWB hold, Manual WB selectable	
VMD	four area, sensitivity selectable	
Alarm output	VMD or Bilinx	
Alarm Input (TTL)	Profile switching, +5V nominal, +40VDC max	
Alarm Output Relay	max. 30VAC or +40VDC, Max 0,5A continuous, 10VA	
External sync input	75Ω or High Impedance selectable	
Cable compensation	Up to 1000m (3000ft) coax without external amplifiers (automatic setup in combination with coaxial communication)	
Camera ID	16 character editable string, position selectable	
Lens types	Manual, DC and Video Iris auto-detect with override DC-IRIS drive: max 50mA continuous Video iris: 11.5 ± 0.5VDC, max 50mA continuous	

Electrical			
Remote control	Bi-directional coaxial communication		
Power	4W		
Consumption			
Power Supply	/11 and /21	12 - 28 VAC, 11 - 39 VDC	45 - 65 Hz
	/51 and /61	85 - 265 VAC,	45 - 65 Hz

Mechanical	
Dimensions (H x W x L)	59 x 67 x 122mm (2.28 x 2.6 x 4.8in) without lens
Weight	450g (0.99lbs) without lens
Tripod mount	Bottom (isolated) and top 1/4-inch 20 UNC
Controls	OSD with softkey operation

Environmental	
Operating Temperature	-20°C to +50°C (-4°F to +122°F)
Storage Temperature	-25°C to +70°C (-13°F to +158°F)
Ambient humidity Operating	20% to 93% RH, storage up to 98% RH

Ordering Information

Model & Description

LTC 0610/11 High Performance Color Camera

Dinion^{XF}, 1/2-inch Color, PAL, low voltage

LTC 0610/21 High Performance Color Camera

Dinion^{XF}, 1/2-inch Color, NTSC, low voltage

LTC 0610/51 High Performance Color Camera

Dinion^{XF}, 1/2-inch Color, PAL, high voltage

LTC 0610/61 High Performance Color Camera

Dinion^{XF}, 1/2-inch Color, NTSC, high voltage

Hardware Accessories

LTC 3264/30 Varifocal Lens

1/2-inch Varifocal lens 4.5 – 10 mm, DC-IRIS, CS-mount f/1.6 - 360, 4 pin

LTC 3274/41 Varifocal Lens

1/2-inch Varifocal lens 7.5 – 75 mm, DC-IRIS

LTC 3283/20 Zoom Lens

Zoom lens, video iris, 1/2-inch, 8.0 – 48 mm, CS-mount f/1.4-360, 4-pin

TC120PS Power Transformer

PSU (110 – 120 VAC / 15 VDC, 300 mA, 50 / 60 Hz)

TC220PS Power Transformer

PSU (220 – 240 VAC / 15 VDC, 600 mA, 50 / 60 Hz)

TC220PSX-24 Power Transformer

Transformer (220 – 240 VAC / 24 VAC, 800 mA 50 Hz)

TC1334 Power Transformer

120 VAC, 60 Hz 24 VAC, 30 VA

Software Options

VP-CFGSFT Configuration Software

Configuration software for cameras using Bilinx. Includes VP-USB Adaptor.

Americas:

Bosch Security Systems
130 Perinton Parkway
Fairport, New York, 14450, USA
Phone:+1 (0) 585 223 4060
Fax:+1 (0) 585 223 9180
security.sales@us.bosch.com
<http://www.boschsecurity.us>

Europe, Middle East, Africa:

Bosch Security Systems B.V.
P.O. Box 80002
5600 JB Eindhoven, The Netherlands
Phone:+31 (0) 40 27 83955
Fax:+31 (0) 40 27 86668
emea.securitysystems@bosch.com
<http://www.boschsecurity.com>

Asia-Pacific:

Bosch Security Systems Pte Ltd
38C Jalan Pemimpin
Singapore 577180
Phone:+65 6319 3450
Fax:+65 6319 3499
apr.securitysystems@bosch.com
<http://www.boschsecurity.com>

BOSCH