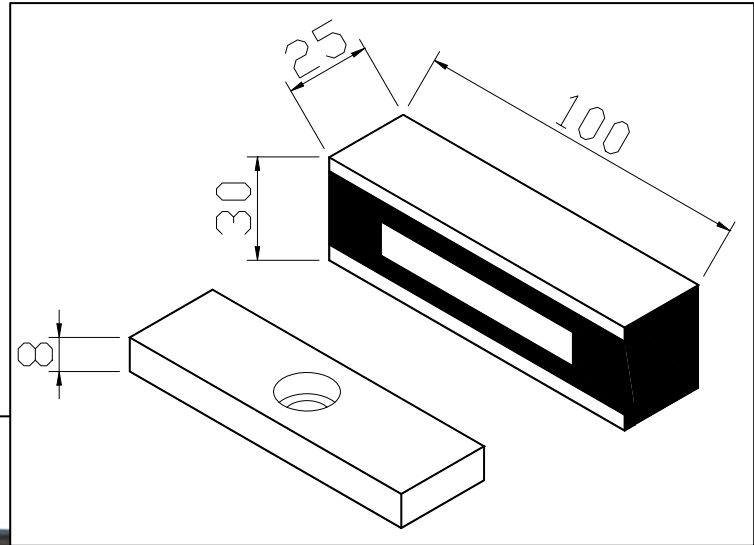


MS5 Cabinet Lock



Order Code: MS5 SSU

- Very small size, 100 x 30 mm
- Up to 100Kg Hold force
- Rear fixing
- 12v DC 0.5A or 24v DC 0.3A std.



○ Available in these following options:

- Double
- Surface
- Flush
- Monitored
- Door status

○ Small dimensions made possible as the magnet has no external housing

Installation Diagrams

<p>Magnet fixed to top of cabinet via L bracket</p> <p>Magnet</p> <p>Armature attached to door</p> <p>25</p>	<p>Magnet</p> <p>Armature on back of Cabinet Drawer</p> <p>25</p> <p>8</p>	
<p>Outward opening cabinet door using L bracket for magnet fixing</p>	<p>Cabinet Drawer lock with magnet fixed to back of cabinet</p>	<p>Magnet fixed to plate for mounting</p>