

# MINI STOPPER



STI 6830



## FEATURES

- Constructed from tough clear polycarbonate
- Easy to install, can retrofit over an existing device
- Spring loaded hinge mechanism
- Available for flush or surface mounted products
- Protects equipment from accidental operation, vandalism and misuse
- Can protect a wide range of industry standard call points and switches
- Cover is backed by a lifetime guarantee against breakage in normal use
- Polycarbonate tested -40°F (-40°C) to 120°F (49°C)

## STI MINI STOPPER

Protective cover to prevent malicious or accidental damage to electrical switches and call points.

The Mini Stopper is an aesthetic inexpensive cover which provides a secure fit to a wide range of electrical switches and call points. The cover prevents misuse to the device without restricting legitimate operation. It is ideal for shopping centres, hotels, schools, colleges, hospitals, nursing homes and all public buildings where there is a risk of malicious or accidental activation.

## HOW IT WORKS

The Mini Stopper consists of a clear tough polycarbonate hinged cover that retrofits securely over the device. Simply lift the cover to gain access to the device. Once the cover is released the spring loaded hinge returns the cover to its original position.

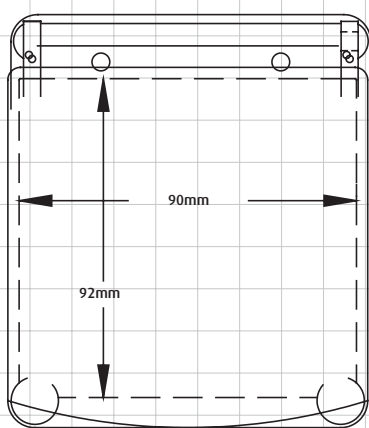
## MODELS AVAILABLE

- STI 6830** Mini Stopper flush mounted
- STI 6831** Mini Stopper surface mounted (includes 35mm spacer)

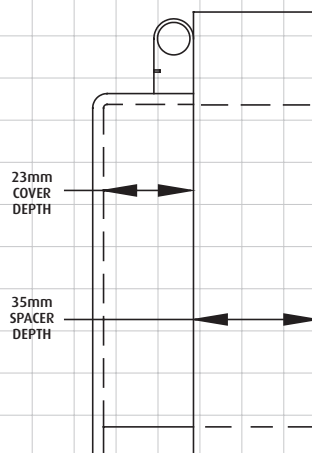
## ACCESSORIES

- STI 6803** 35mm spacer (supplied with STI 6831)
- STI 6801** Weather gasket set

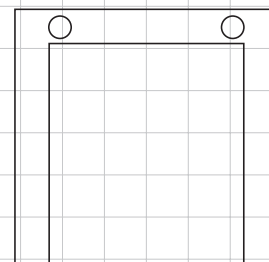
▼ Mini Stopper dimensions and technical information (STI 6830 & STI 6831)



FRONT VIEW



SIDE VIEW



GASKET

TO PLACE AN ORDER CALL FREEPHONE 0800 085 1678 OR FAX ON +44 (0) 1527 501 999