

P-5516 Network DVR

Record Locally & Manage Remotely



P-5516 is a cost-effective and user-friendly 16-CH network DVR, equipped with Hard Disc Drive that records the video directly.

Built-in CD-R/W burns video clips directly from the HDD.

P-5516 offers small and medium-sized businesses an intelligent, stand-alone system to build a distributed surveillance system, which can be monitored and managed over the internet.

Benefits

- Simple back up: Its equipped with a CD-R/W to burn video clips directly from the hot-swappable Hard Disc Drive.
- Stability: It uses a proprietary embedded system, so there is no risk of corrupting it with third-party software.
- Convenience: Can be controlled anytime, anywhere.

Main Features

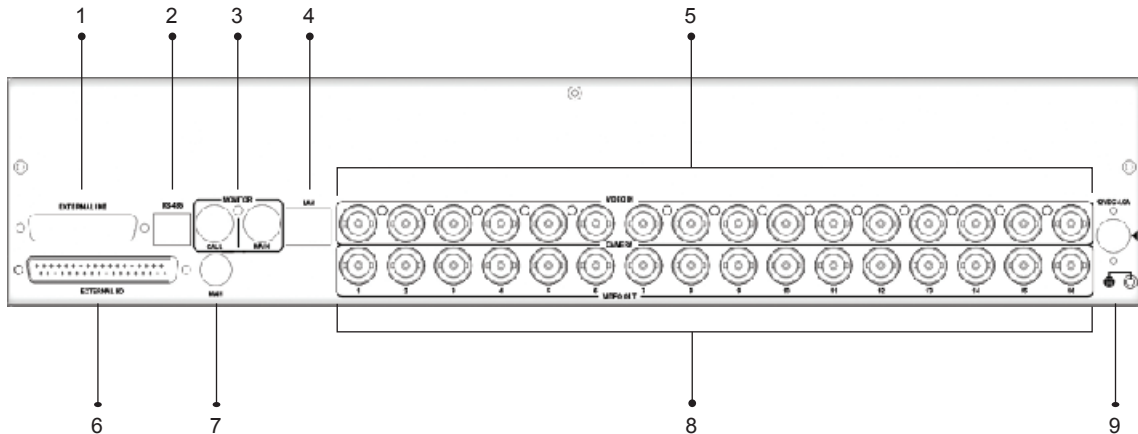
- Built-in Web Server for remote control
- Built-in CD-R/W for video export
- Built-in Motion Detection
- PTZ control available

P-5516 Network DVR

Record Locally & Manage Remotely

■ Rear Panel

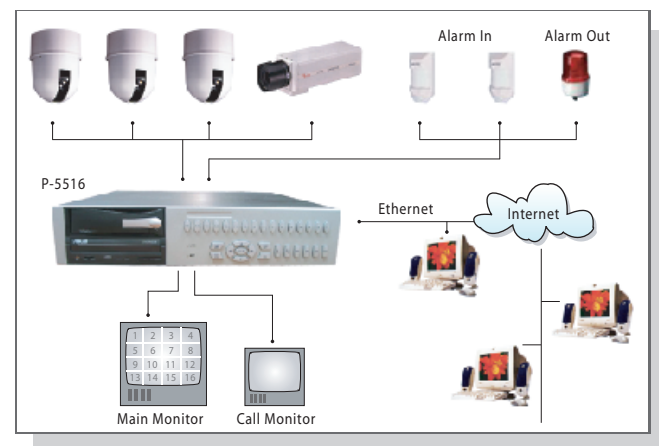
- | | |
|-----------------------------|-------------------------|
| 1. External IDE | 6. External I/O |
| 2. RS-485 Port | 7. Main Monitor (S-VHS) |
| 3. Main/ Call Monitor (BNC) | 8. Camera Looping |
| 4. LAN Port | 9. Power Jack |
| 5. Video In | |



■ Specifications

Compression Method <input type="checkbox"/>	Wavelet	
Video System <input type="checkbox"/>	NTSC <input type="checkbox"/>	PAL
Resolution - Live Video <input type="checkbox"/>	720 x 480 pixels	720 x 576 pixels
Resolution - Recording <input type="checkbox"/>	720 x 240 pixels	720 x 288 pixels
Recording Rate <input type="checkbox"/>	Up to 60 PPS <input type="checkbox"/>	Up to 50 PPS
Recording Device <input type="checkbox"/>	Hot Swappable HDD	
Recording Quality <input type="checkbox"/>	5 Levels selectable	
Video Clip Export <input type="checkbox"/>	Built-in CD-R/W	
Video Input <input type="checkbox"/>	BNCx16, 1.0Vp-p, 75 ohm	
Video Looping Through <input type="checkbox"/>	BNCx16, 1.0Vp-p, 75 ohm	
Main Monitor Output <input type="checkbox"/>	BNCx1, S-VHSx1, 1.0 Vp-p, 75 ohm	
Call Monitor Output <input type="checkbox"/>	BNCx1, 1.0 Vp-p, 75 ohm	
Alarm Input <input type="checkbox"/>	x16, DSUB 37pin male, (TTL level)	
Alarm Output <input type="checkbox"/>	x1, DSUB 37pin male, 2.0A/24V	
Network Interface <input type="checkbox"/>	Ethernet (10/100 Base-T)	
Remote Control <input type="checkbox"/>	RS-485 DSCP	
Playback Speed <input type="checkbox"/>	Fast Forward/ Rewind (x1~ x8), <input type="checkbox"/> picture by picture	
Zoom <input type="checkbox"/>	Yes, 2x2	
Power Supply <input type="checkbox"/>	DC12V / 4A	
Title <input type="checkbox"/>	12 characters	
Alarm List <input type="checkbox"/>	Up to 255 events	
Dimensions (W x H x D) <input type="checkbox"/>	432x45x400mm	
Operating Temperature <input type="checkbox"/>	0~40° C	

■ System Architecture



Distributed By: