

PSU-1205B Uninterrupted Power Supply

Introduction:

PSU-1205B power supply is specially designed with adjustable voltage for both DC output and Charger. Furthermore, it has the function of low battery cut off and over-charge protection. This Power Supply is best used for Building Intercom System, Video Phone System, Access Control System and all types of electric locks like electromagnetic lock, bolt and striker.

Advantages

A: Lower Battery Cut Off:

The supply of power will be Cut off when the battery voltage drop at 10.5VDC. This is to prevent the system from running at unstable voltage thus put the system in hanging status.

B: Over-Charge Protection

The charging voltage is adjusted to detect the charging need (when the battery voltage is low) as well as to protect from over-charge (stop charging when it is fully charged)

Specification: 【Please do not change the default setting under professional guidance】

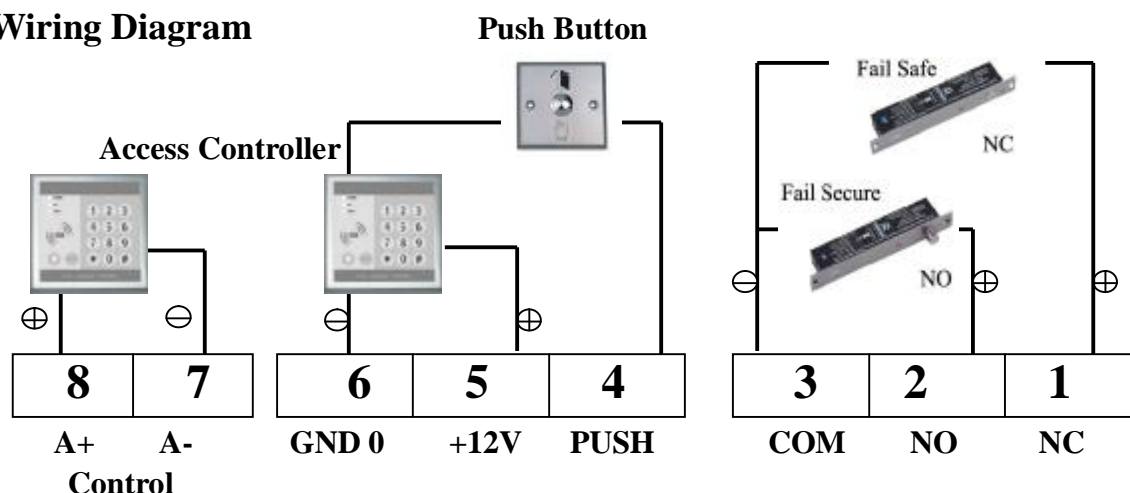
Input: AC 220 to AC240V, 60W, 50/60HZ Output Current: Max 5A

Output: Set at DC12V.5V 【Empty Load】 【Adjustable from DC12 to DC18V】

Charging Voltage: Set at DC14V 【Adjustable from DC12 to DC17V】

Dimension: L 250×W 220 ×H 80 mm Weight: 2.5KGS without battery

Wiring Diagram



Connect Terminal 1 to Lock DC12V+, Terminal 3 to Lock DC12V- for Fail Safe Mode

Connect Terminal 2 to lock DC12V+, Terminal 3 to Lock DC12V- for Fail Secure Mode

Connect Terminal 4 and Terminal 3 or 6 or 7 to Push Button

Connect Terminal 5 and 6 to DC12V+ and GND at the Access Controller

Connect Terminal 8 and 7 to Lock + and Lock - at the Access Controller