

# SCC-B2311 / B2011P

## 1/3" High Resolution Day & Night Camera



- 1/3" Super HAD CCD 410K(PAL:470K) pixels
- Realizing sharp image quality, Horizontal resolution : 540 TV Lines
- Minimum scene illumination : 0.0009 Lux
- Day & Night (Electric)
- DNR (Digital Noise Reduction)
- DSP chip developed exclusively for CCTV by Samsung Electronics
- Use of CS, C-mount lens possible
- Digital power synchronization method

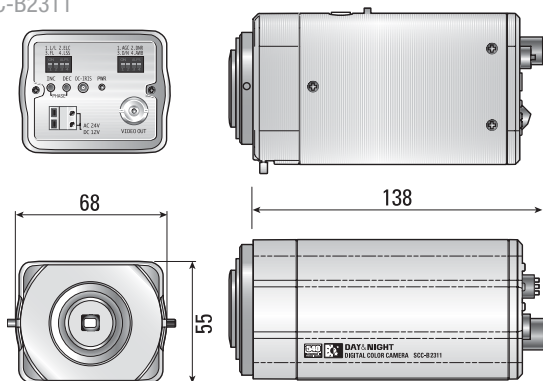
### Specifications

<b>Model</b>	<b>SCC-B2311</b>	
<b>Imaging Device</b>	1/3" Super HAD CCD, 410K(PAL:470K) pixels	
<b>Effective Pixels</b>	NTSC : 768(H)x494(V) / PAL : 752(H)x582(V)	
<b>Scanning Method</b>	2:1 Interlace	
<b>Scanning Line</b>	<b>Horizontal</b>	NTSC : 15.750Hz / PAL : 15.625Hz
<b>Frequency</b>	<b>Vertical</b>	NTSC : 60Hz / PAL : 50Hz
<b>Synchronization Method</b>	Internal / Line lock	
<b>Horizontal Resolution</b>	540 TV Lines	
<b>Signal Output</b>	VBS 1.0Vp-p(75 ohm, Composite)	
<b>S/N Ratio</b>	50dB	
<b>Minimum Scene Illumination</b>	0.0009(Sens up 128X, 15IRE)Lux	
<b>Control Switch</b>	<b>Day &amp; Night</b>	Off/On
	<b>White Balance</b>	ATW/AWC
	<b>ALC / ELC</b>	ALC(Video/DC) / ELC(~1/120Ksec)
	<b>Flickerless</b>	Off/On
	<b>Line lock</b>	Off/On (V-Phase Regulation)
<b>Input/Output</b>	<b>Image Output</b>	BNC
	<b>AI Lens</b>	4-pin DIN
	<b>Power</b>	Terminal Block (2-pin)
<b>Operating Temperature</b>	-10°C ~ +50°C	
<b>Operating Humidity</b>	Maximum 90% RH	
<b>Power Requirement</b>	AC24V / DC12V compatible	
<b>Power Consumption</b>	3W	
<b>Weight</b>	440g	
<b>Dimensions</b>	68(W) x 55(H) x 138(D)mm	

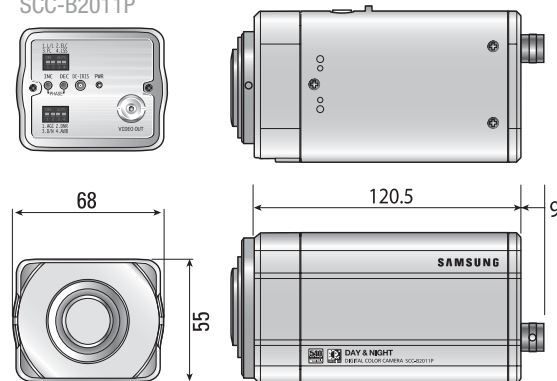
\* SCC-B2011P is same as SCC-B2311 except for Power Requirement (AC 220V~240V)

### Dimensions (unit:mm)

SCC-B2311



SCC-B2011P



\* Design and specifications are subject to change without notice.