

Klaxon Signals Ltd.

INSTALLATION AND SPECIFICATIONS

—A—
HALMA
GROUP
COMPANY

SO4 12/24 VOLTS

TECHNICAL SPECIFICATION

SUPPLY VOLTAGE DC	12 VOLTS	24 VOLTS
STARTING CURRENT (Nominal)	9.5 AMPS	19.5 AMPS
RUNNING CURRENT (Nominal)	4 AMPS	8 AMPS



GENERAL

The siren will operate at any angle. In outside use, or where water may drip onto it, then siren must be mounted vertically with the rotor to the bottom, and the supply cable entry point must be watertight. In any installations the supply must be correctly earthed.

INSTALLATION

Position the siren with the supply entry in a convenient position and fix the unit with three 6mm screws fitted with "Shakeproof" washers.

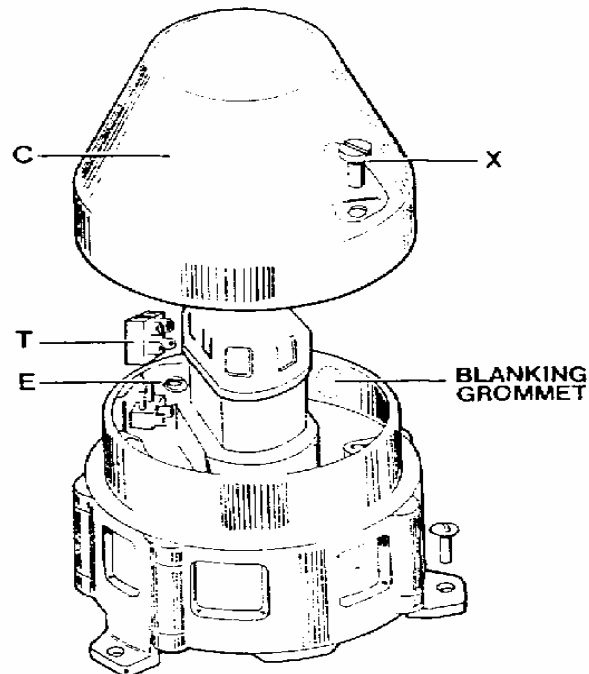
Unscrew the three locating screws (X) and remove the motor cover (C). Remove the blanking grommet and bring the supply wires into the siren case. The supply wires should be cut to 110mm length inside the case.

Separate the terminal socket (T) from the plug and connect the supply wires to the socket.

Clamp the earth wire firmly between the washers provided on the siren case Earth terminal (E).

Replace the socket, locate the motor cover (C) and tighten the screws (X) firmly.

A separate Heater is available.



COVER/CAP	(C)
SCREWS	(X)
TERMINAL BLOCK	(T)
EARTH	(E)

18-184150/3