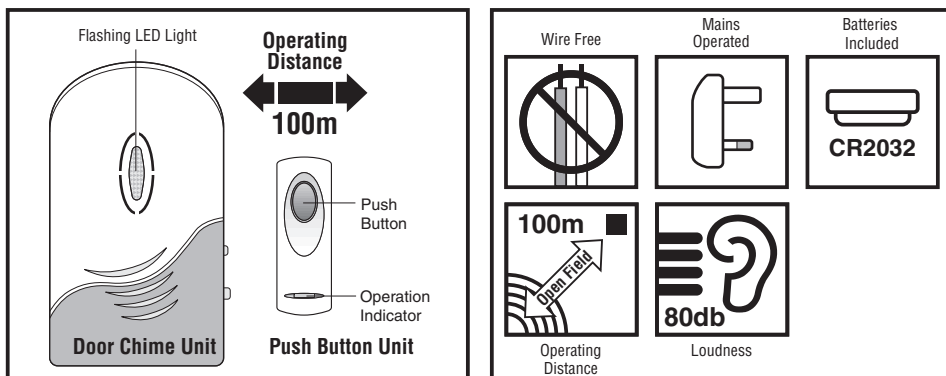


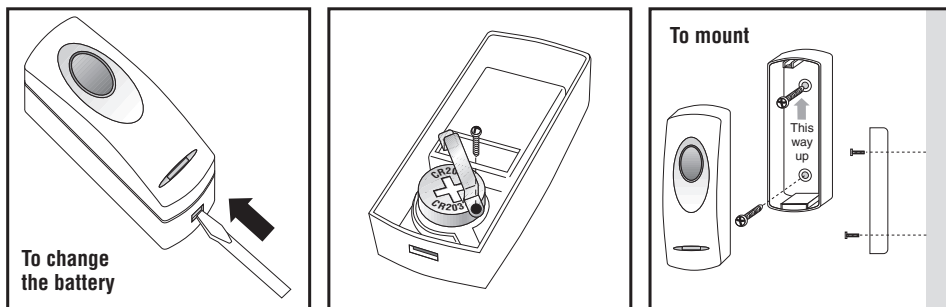
Byron Wire Free Plug-in Door Chime Kit SX-210



No wiring is required for this Wire Free Door Chime Kit. When the Push Button is pressed, it sends a wire free signal to the door chime unit that activates the chime. As the operating range is up to 100 metres (320 ft. approx. - in open field), you can take the door chime virtually anywhere in the home. However, the transmission range of the wire free signal will be reduced if the signal is transmitted through a number of walls or ceilings. Metal, and UPVC doorframes will also reduce the operating range.

Push Button Unit

1 x 3 volt Lithium batteries (CR2032) have already been installed. Your Push Button is ready to use.



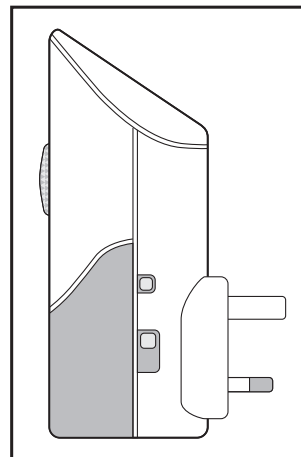
Remove the back of the case by pushing in the tab on the bottom with a small, flat screw driver.

Remove the locking screw from the battery fastener. Insert 1 x 3 volt CR2032 Lithium batteries (Byron SX100) in the battery compartment, ensuring the battery polarity matches the internal markings, then tighten the screw on the battery fastener to hold the batteries firmly in their compartment.

Using the two holes on the back of Push Button as a template, mark the fixing position for the unit. Drill holes and fit wall plugs and secure the Push Button unit with screws (self-tapping N3 x 16mm screw).



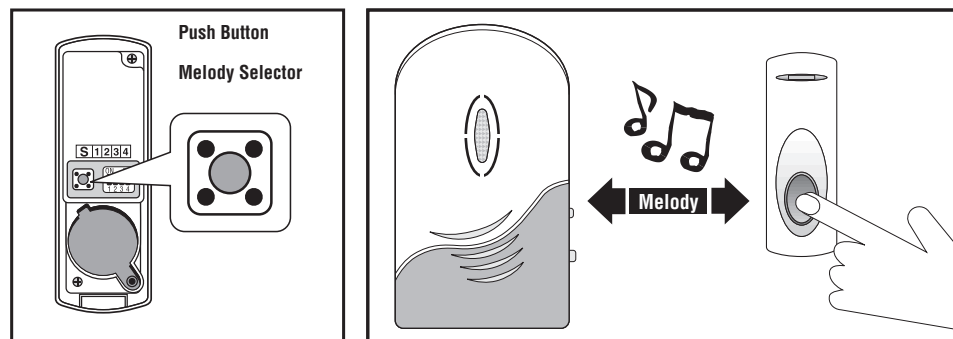
Door Chime Unit



The Door Chime unit is powered by A/C mains power (230volt ~ 50Hz). Simply plug the Door Chime Unit into any convenient 13 Amp wall socket within the operating range, and it is ready to use. The Door Chime unit is equipped with advanced self-learning operation code ability, once it is connected to the mains it will beep twice to indicate that it is ready for the new operation code registration (see digital code set up). Test to ensure the Door Chime is located within the operation range before final installation.

Melody Selection

The Melody Selector is located inside the push button unit. It is a small button on the top left corner of the battery compartment marked with "S". Press the switch once, the melody will change to the next one on the list, there are a total of 8 melodies for selection. The Push Button is pre-set to "Electro Mechanical - Ding Dong" therefore, if no change is required, it should not be adjusted.



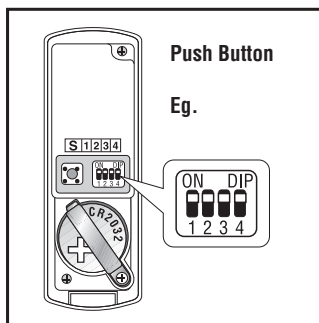
- 1) Electro Mechanical - Ding Dong
- 2) Westminster - 8 notes
- 3) Jive
- 4) Wedding March
- 5) Piano
- 6) Harmony
- 7) Dog Barking
- 8) Ringer

Additional Byron "SX" range products can be purchased for compatibility. (except SX-4 and SX-41)

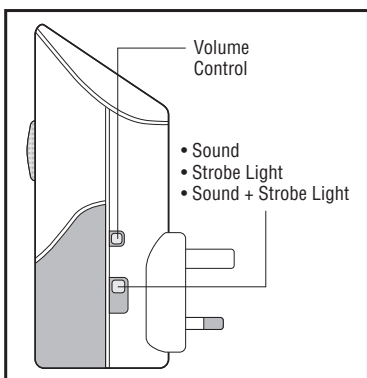
Digital Code Set Up

The unit comes from the factory on a pre-set radio frequency digital code. However, should your door chime activate intermittently for no reason at all, it is possible that a similar unit is operating nearby on the same frequency digital code. The encoded frequency of the Push Button (transmitter) can be changed to avoid this problem. The Door Chime unit is equipped with an advanced self-learning operation code ability therefore no setting is needed.

1. Remove the back of the case from the Bell Push unit.
2. There are 4-position dipswitch marked 1,2,3 & 4. Use a screwdriver to alter the dipswitch levers to the "On/Off" position, which can be altered to achieve a total of sixteen (16) possible digital codes.
3. Select any combination on the Push Button. Press the Push Button, and the Door Chime unit will sound to indicate that new operation code is registered and memorized, and it will only work with it.
4. To re-set the operation code, simply remove the batteries from the Door Chime unit and rest for 30 seconds, it will erase the memory. Re-insert the batteries into the Door Chime unit, it will give 2-beeps to indicate that it is ready for new code registration. Press the Push Button to confirm the new code is working.
5. Test to ensure correct operation before final installation.



Door Chime Operation



Press the button on the Push Button unit once, it sends a wireless signal to the Door Chime and will activate one of the following function:

- a) **Sound and Light:** The Door chime will sound as well as the Super Bright Strobe Light flashing to maximizing attention.
 - b) **Light Only:** The Super bright Strobe Light on the Door Chime unit will flash.
 - c) **Sound Only:** Door Chime unit will sound.
- The function selector is located at the back of the unit, press the buttons to select the function to operate the chime unit accordingly. For repeat sound, press the button again. Holding the button in will **NOT** repeat the sound.

Sound Volume Control Button

It is located at the back of the item, press the button to adjust, and the sound volume goes up and down. There are a total of 8 different sound volume levels set, 1=mute and 8 =max level, the door chime will start operating at sound level 6 initially.

Light Option Control Button

It is located at the side of the item, slide the switch to adjust the light function as follows:

- a) Sound Only
- b) Strobe Light Only
- c) Sound + Strobe Light

Important

1. Do not mount either unit close to fireplace or expose to high temperatures.
2. Do not expose the Door Chime unit to direct sunlight or moisture.
3. Make sure that no naked flame sources, such as lighted candles, are placed on the unit.
4. The unit should not be exposed to dripping or splashing and that no objects filled with liquids, such as vases, shall be placed on the unit.
5. **CAUTION:** Replace only with the same or equivalent type of battery that is recommended by the manufacturer.
6. **CAUTION:** Danger of explosion if battery is incorrectly installed or replaced.
7. **CAUTION:** This product is not suitable for people who suffer from epilepsy due to flashing light.

Trouble Shooting & User Hints

Problem	Possible Causes	Suggested Remedy
Chime does not sound but LED lights on Push Button	1. Units is out of range (max. range 100M) 2. Push Button and Chime units are not on same digital code	1. Operate the Chime unit within the operation range (100M) 2. Re-set the digital code (see Digital Code Set Up)
Chime does not sound plus no lights on Push Button LED	1. Flat Push Button battery 2. Wrong polarity of battery in Push Button	1. Change the battery 2. Re-insert battery as internal marking in right polarity
Chime sounds without Push Button being pressed	A similar Wire Free Door Chime product is operating nearby on the same frequency digital code	Change the digital code (see Digital Code Set Up)

Important: There are no serviceable parts in the unit, do not attempt to repair it.

Specification

A. Push Button unit

Power : 1 x 3 volt Lithium battery (CR2032 - included)
Consumption : 7.0mA - ON
0.003mA - OFF

B. Door Chime unit

Power : A/C main power (230volt ~ 50Hz)

Operating Temperature : -10°C to +40°C

Operating Distance : 100 metres (320 feet approx.) in open field

Selectable Tone : Total eight (8) tones available

Selectable Digital Code : Total sixteen (16) possible digital codes

Type R2 Device - device where the sound output is created by the initial operation of the control and where the period of sound output continues for designed duration irrespective of condition of the control.

CE 0681

