



## Super M and Super V

- High output siren sound (127dB)
- Separate mounting bracket for easy installation (Super M)
- Pre-drilled flange and protection screw (Super V)
- Long life and run time
- Weatherproof for use both indoors and outdoors

The Super M is a powerful motor driven siren producing a very high sound output. Designed for surface mounting, it has a separate mounting bracket which may be secured in position first to allow for easy installation. In addition, it comes pre-wired with 1 metre of cable.

It has a weatherproof construction when wall mounted and is suitable for continuous use.

The Super M is ideal for both security and fire applications where a higher sound output is required such as in areas of high background noise.

A vertically mounted version (Super V) is also available and is fitted with a protective cover. It is ideal for applications where pole or roof mounting are desirable.

## Applications

- Fire and security alarm
- General purpose safety warning
- Process control alarm

**Fire** ✓

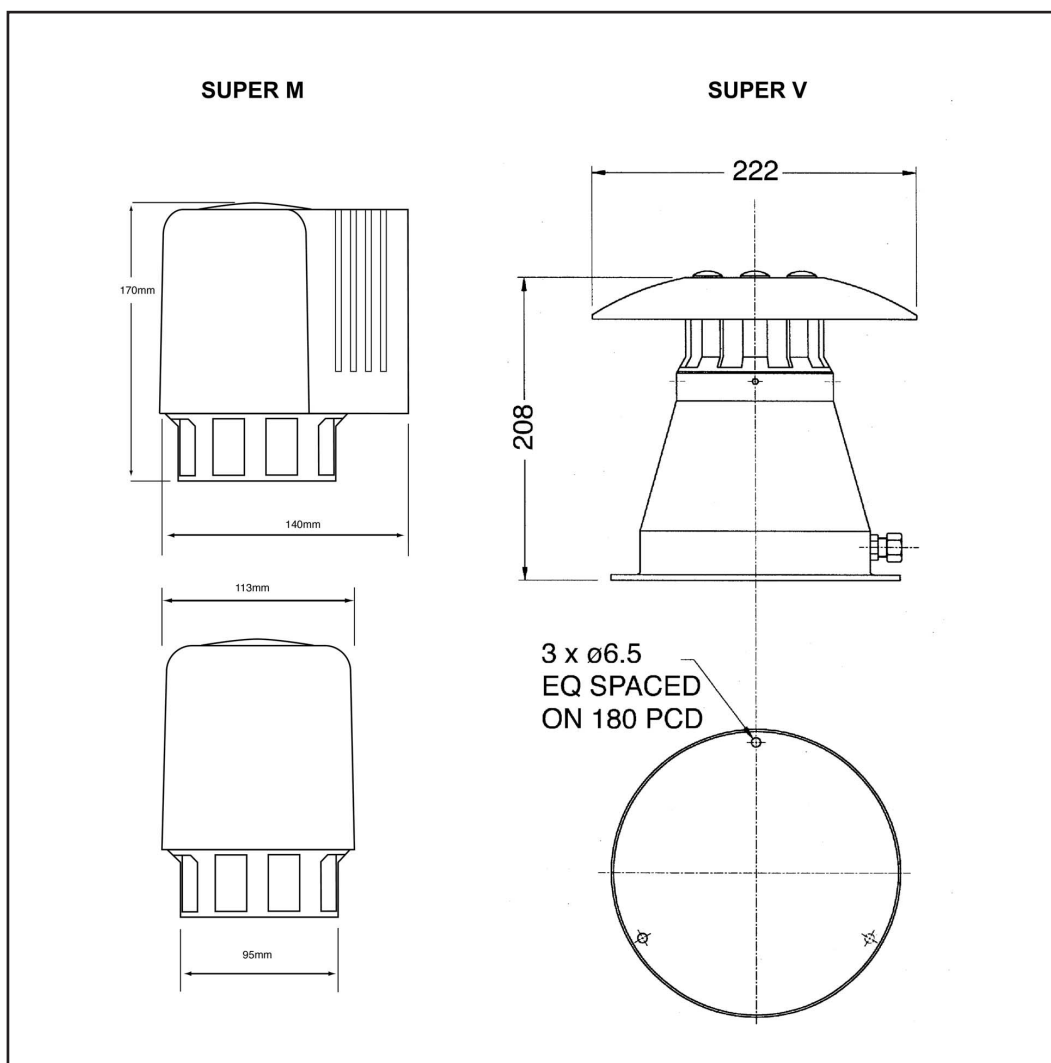
**Industrial** ✓

**Hazardous Area** ✗

**Security** ✓

**Railway/Marine** ✗

**Public Warning** ✗



| Part No.       | Colours    | Audibility at 1m | Tones | Voltage    | Current |
|----------------|------------|------------------|-------|------------|---------|
| <b>Super M</b> |            |                  |       |            |         |
| 18-980047      | Yellow     | 127dB (A) ±3dB   | 1     | 110V AC/DC | 2.7A    |
| 18-980049      | Yellow     | 127dB (A) ±3dB   | 1     | 230V AC/DC | 1.0A    |
| <b>Super V</b> |            |                  |       |            |         |
| 18-980244      | Red/Yellow | 123dB (A) ±3dB   | 1     | 110V AC    | 2.7A    |
| 18-980245      | Red/Yellow | 123dB (A) ±3dB   | 1     | 230V AC    | 1.0A    |

**IP Rating:** Super M: Weatherproof; Super V: IP55  
**Rating:** Continuous  
**Frequency:** 1680Hz  
**Operating temp:** -30°C to +45°C  
**Construction:** Super M: ABS; Super V: Aluminium/ABS  
**Cable Entries:** 1  
**Weight:** Super M: 1.8kg; Super V: 1.9kg