

# Arrowhead SWAN Series

## Swan Quad Quad Imaging Pet Immune Detector

### Quad Imaging technology with Pet Immunity

The new Swan line detectors use specially designed optical lenses with a unique Quad element sensor and new Asic based electronics. The unit has advanced Pet Immunity that can virtually eliminate false alarms caused by small animals and pets up to 25 Kg (55 lbs) in weight. Each unit features a diffractive mirror for "creep zones" protection.

### Sharpest detection and Exceptional Stability

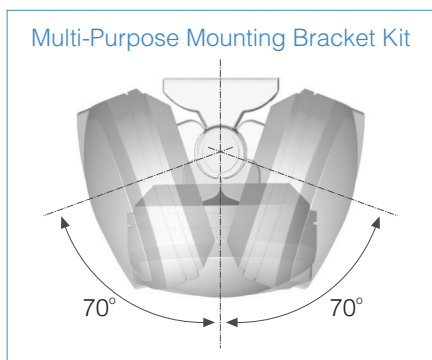
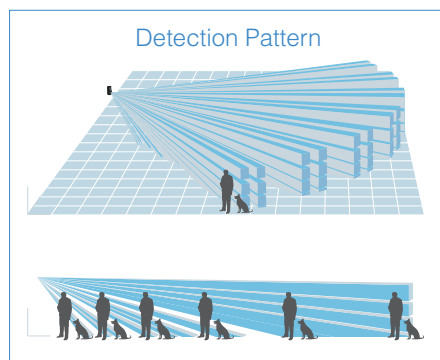
The Swan detectors provide unprecedented levels of catch performance, immunity against visible light and electrical transients together with exceptional stability for every security application.

### Slim Designed Housings

The Swan line features compact and streamlined housings suited for residential and commercial applications.

### Unique Mounting Bracket kit and Special Curtain Mask

The Swan detectors are installation height calibration free. They can be wall, corner or ceiling mounted with an exceptionally user friendly bracket kit. The Swan Series offer a special masking device for adapting the detector's lens to curtain pattern.



### Features

- Bi Directional Temperature Compensation
- 18 x 18 m (60'x 60'), 90° detection pattern
- Pet Immunity of up to 25 kg (55 lbs)
- Slim design for residential installations



Arrowhead Ltd  
Unit 49G, Pipers Road  
Park Farm Industrial Estate  
Redditch B98 0HU  
Tel: 01527 522 628  
Fax: 01527 501999  
sales@arrowhead.uk.com

Distributed by:

