

VOICE SPEAKER

AV-100E (Power: 12VDC with output contact)



TAKEX[®]

Voice Speaker is designed to give an audio message after being triggered by a remote mounted PIR/Sensor.

A Max 8 sec. message can be pre-recorded simply by speaking directly into the in-built microphone.

Once triggered by remote PIR/Sensor etc., the internal speech synthesis LSI (Large Scale Integrated Circuit) will activate. Wide ranges of applications are possible, such as "in danger warnings", alarm advice, etc.

Features

- **GENUINE SPEECH SYNTHESIS DEVICE**

The speaker sends a message when it is triggered by remote sensor, e.g. PIR.

- **EASY RECORDING AND PLAYBACK**

Maximum recording duration is 8 seconds. Recording is simple by talking into the microphone. It is also easy to replace the messages.

- **OUTPUT CONTACT TO TRIGGER OTHER SYSTEMS**

Sensor Speaker is equipped with a dry contact relay. It can be easily connected to lights, chimes, buzzers or camera systems etc.

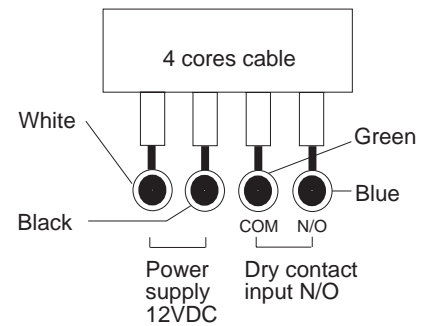
- **OTHER FEATURES**

- Sound Volume adjustment.
- Memory back-up; message can be reserved for a maximum of 20 days without power.
- Weather proof.

Specifications

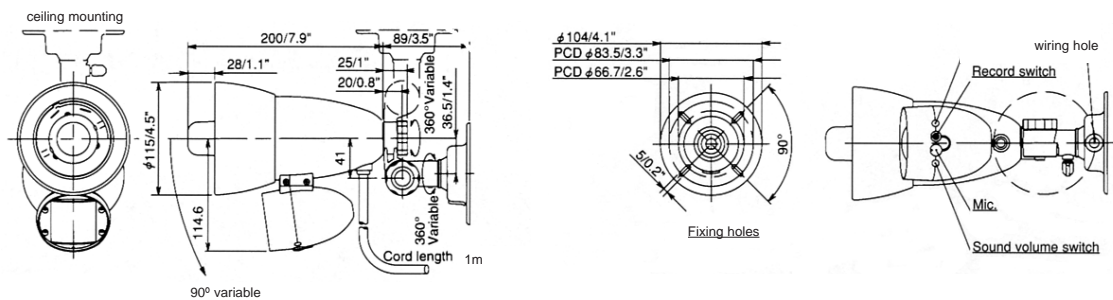
Model	Voice Speaker
Model Number	AV-100E
Power Supply	DC12V (non-polarity)
Power Consumption	Stand by : 20mA or less, initiated 500mA or less
Alarm Input	Dry contact N/O, contact volume 10mA or more
Synthesis Method	ADM Method
Recording Method	Internal condenser microphone
Record/Playback Time	8 sec. (speech memory : 256kbits S-RAM)
Recorded Memory	20 days or more, under no power supply
Back-up Time	(Temp. -25°C, battery charge time 30 minutes or more)
Sound Output	One-shot playback (8 sec.) by input (detection signal)
Operation	(No retrigger during playback)
Sound Output	Max. 2W more than 100dB subject to good recording
Sound Volume	Variable from zero to max
Operation	(Recording) level indicator: good: flickering, too low: lights on, too loud: off
LED	(Playback) Lights ON during playback time (8 sec.) Continuous input causes; continuous lighting during playback
Ambient Temperature	-20°C to 50°C / -4°F to 122°F (without condensation and freeze)
Installation Places	Indoor/Outdoor (weather proof)
Weight	1,000g (including wire/50g)
External Appearance	Black (PC resin)

Wiring



Due to ongoing product improvements, specifications may change without notice.

Physical Dimensions (mm/inch)



Note: This voice speaker is designed to give an audio message. It is not a burglar-preventing device. TAKEX is not responsible for damages or losses caused by accidents, thefts, Acts of God (including inductive lightning), abuses, misuses, abnormal usages, faulty installation or improper maintenance. Regular maintenance and inspection (at least annually) by the installer and frequent testing by the user are vital to continuous satisfactory operation of any alarm system.



TAKEX Europe Ltd.
 Aviary Court, Wade Road
 Basingstoke, Hants RG24 8PE, U.K.
 Tel: 44 (1256) 475555
 Fax: 44 (1256) 466268
 Email: sales@takexeurope.com
 Website: www.takexeurope.com

AV-100E DS-12 03
(CRI-161)