



VIP X1 Single-channel Video Encoder



- ▶ **Single-channel encoder**
- ▶ **High-quality MPEG-4**
@ full D1/4CIF/2CIF/Half D1/CIF/QCIF
- ▶ **USB and iSCSI recording**
- ▶ **Storage-efficient Dual Streaming**
- ▶ **Ultra-compact size**
- ▶ **Multicast and Internet streaming**
- ▶ **Alarm inputs & relay output**
- ▶ **FastEthernet interface**
- ▶ **Serial data port**
- ▶ **Audio and PoE models**

The VIP X1 features DVD like quality MPEG-4 video, at up to 30 images per second, over IP networks. This unit supports PAL/NTSC sources.

The audio models of the VIP X1 provide bidirectional audio communication in parallel to video. Besides the standard line level interface, built in amplifiers allow direct connection to microphone and speaker.

The VIP X1 Power-over-Ethernet models can be power-fed via the network cable.

The VIP X1 provides Dual Streaming. It is able to generate two independently configurable MPEG-4 video streams. The VIP X1 is ultra-compact, so it is perfect for any application that depends on space-saving solutions.

Functions

Viewing

The video can be viewed on a PC using VIDOS, the Bosch comprehensive video management system, or in a simple Web browser such as Internet Explorer. It can also be integrated into other video management systems using the Bosch Video SDK.

By routing the IP video to a high performance VIP XD video decoder or a VIDOS Monitor Wall you can present the video with ultimate clarity on an analog CCTV or large, flat-screen VGA monitor or TV.

Recording

The VIP X1 offers unparalleled recording options - locally on a USB hard disk, network-attached utilizing iSCSI devices, and of course centrally using Network Video Recorders. The iSCSI RAID5 storage enables the VIP X1 to act as a conventional DVR as well as to stream high performance live video across the network.

Dual Streaming

The VIP X1 uses Dual Streaming to generate two independent IP video streams per channel. This allows viewing and recording at two different quality levels to save disk space and bandwidth. On alarm, it may send out email with JPEG images attached.

Increased intelligence

The VIP X1 supports increased intelligence at the edge that includes detection of:

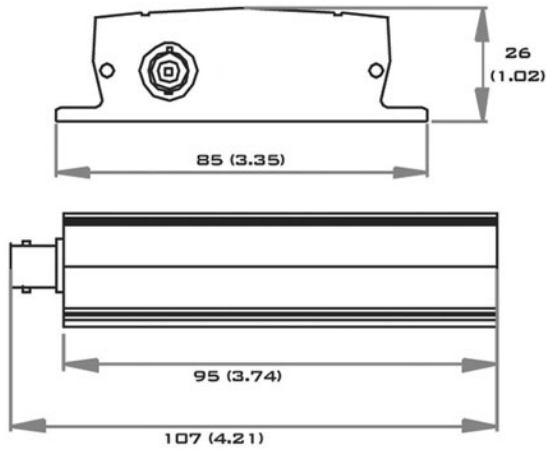
- video loss
- masking
- hooding
- defocusing
- diverted camera

These detection features provide tamper detection for various unified picture causes.

More advanced video content analysis (VCA) applications are offered with Bosch's Intelligent Video Motion Detection (IVMD) as additional licensable option, giving VCA directly at the video input.

These powerful devices represent the cutting edge of high performance Video over IP for CCTV today.

Installation/Configuration Notes



Dimensions in mm (inches)



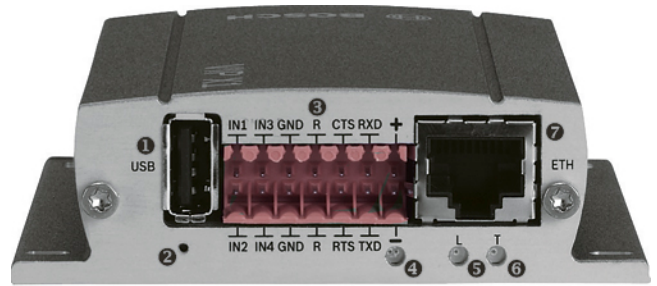
Front view VIP X1, non audio models

- 1 Video In 1



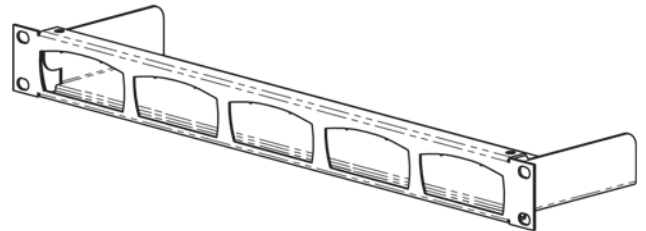
Front view VIP X1 audio models

- 1 Video In 1
- 2 Line In
- 3 Microphone In , Speaker Out
- 4 Line out



Rear view all models

- 1 USB port
- 2 Reset: Factory Default
- 3 Alarm in, Relay out, Power, COM (RS232/422/485)
- 4 LED Power
- 5 LED Link
- 6 LED Traffic
- 7 10/100 Base-T Fast Ethernet



Rack mount kit (optional)

Parts Included

Quantity	Component
1	VIP X1 Single-channel Video Encoder
1	International plug-in power supply
1	RS-232 null modem cable
1	Quick Installation Guide
1	CD-ROM containing manual, software and tools

Technical Specifications

Electrical

Video Standards	MPEG-4; JPEG
Video Data Rate	9.6 Kbps–6 Mbps
Video Resolution	704 x 576/480 (4CIF/D1: 25/30 IPS) 704 x 288/240 (2CIF: 25/30 IPS) 464 x 576/480 (2/3 D1: 25/30 ips) 352 x 576/480 (Half D1: 25/30 IPS) 352 x 288/240 (CIF: 25/30 IPS) 176 x 144/120 (QCIF: 25/30 IPS)
GOP Structure	I, IP
Overall Delay	MPEG-4: 120 ms
Network Protocols	RTP, Telnet, UDP, TCP, IP, HTTP, IGMPv2/v3, ICMP, ARP, SNMP

Software Update	Flash ROM, remote programmable
Configuration	Configuration Manager, Web browser
Interfaces	
Video In	1x analog composite: NTSC/PAL; BNC connector 75 Ohm switchable, 0.7 - 1.2 Vp-p
Alarm In	4x (non-isolated closure contact type), max. activation resistance 10 Ohm
Relay Out	1x, 30 Vp-p, 2 A
Connectors	14 position spring clamp contact for alarm, relay and COM port
COM Port	1x RS-232/422/485, spring clamp contacts
USB Port	1x 2.0 external interface
Ethernet	10/100 Base-T, auto-sensing, half/full duplex, RJ-45
Audio Models	
Audio Standard	VIP X1A, VIP X1AP
Audio Standard	G.711; 300 Hz - 3.4 kHz
Audio Data Rate	80 kBit/s
Audio Sampling Rate	8 kHz
Line In	Single channel via stereo jack 3.5 mm, 9 kOhm typ., 5.5 Vpp max.
Line Out	Single channel via stereo jack 3.5 mm, 16 Ohm min., 3 Vpp max.
Microphone In	CombiCon plug, 2 kOhm typ., 2.8 Vpp max. -20 dB, supply 2.3 V typ.
Speaker Out	CombiCon plug, 4 Ohm min., 6 Vpp max., power RMS 1 W
PoE Models	
Power-over-Ethernet (PoE)	VIP X1P, VIP X1AP
Power-over-Ethernet (PoE)	802.11af, class 2
Output power	2.5 W max., spring clamp contacts
Environmental	
Input Voltage	12-24 VDC, spring clamp contact
Power Consumption	Approx. 6 VA
Power Supply	VIPXPS111022 included in the box
Weight	Approx. 0.17 kg (0.37 lb)
Operating Temp	0°C - 50°C (32°F - 122°F) ambient temperature
Humidity	20 - 80%, atmospheric humidity (not cond.)
Complies with	CE: IEC 60950; UL 1950; AS/NZS 3548; EN 55103-1, -2; EN 50130-4; EN 55022; EN 55024; EN 61000-3-2; EN 61000-3-3; FCC 47 CFR Ch.1 Part 15

Ordering Information

VIPX1 MPEG-4 dual-stream 1 ch encoder, USB, serial I/O, alarm in, relay	VIPX1
VIP-X1A MPEG-4 dual-stream 1 ch transmitter, USB, audio, serial I/O, alarm in, relay	VIPX1A
VIP-X1P MPEG-4 dual-stream 1 ch transmitter, USB, PoE, serial I/O, alarm in, relay	VIPX1P
VIP-X1AP MPEG-4 dual-stream 1 ch transmitter, USB, audio, PoE, serial I/O, alarm in, relay	VIPX1AP
Accessories	
VIPRMK1HU VIPX/10/1000 Rack Mount Kit (5 units in 1HU)	VIPRMK1HU
VIPXPS111022 Power supply	VIPXPS111022
DVA-12T-04050RA iSCSI RAID5, 12 bay 1.5 TByte net capacity (4 hard drives installed)	DVA-12T-04050RA
DVA-12T-12050RA iSCSI RAID5, 12 bay, 5.5 TByte net capacity (12 hard drives installed)	DVA-12T-12050RA
Software Options	
VIP-X1-FS1 VIP X1 IVMD 1.0 VCA Software License	VIP-X1-FS1

Europe, Middle East, Africa:
Bosch Security Systems B.V.
P.O. Box 80002
5600 JB Eindhoven, The Netherlands
Phone: + 31 40 2577 284
Fax: +31 40 2577 330
emea.securitysystems@bosch.com
www.boschsecurity.com

Americas:
Bosch Security Systems, Inc.
130 Perinton Parkway
Fairport, New York, 14450, USA
Phone: +1 800 289 0096
Fax: +1 585 223 9180
security.sales@us.bosch.com
www.boschsecurity.us

Asia-Pacific:
Bosch Security Systems Pte Ltd
38C Jalan Pemimpin
Singapore 577180
Phone: +65 6319 3450
Fax: +65 6319 3499
apr.securitysystems@bosch.com
www.boschsecurity.com

Represented by