

VV-VIR-DN-49

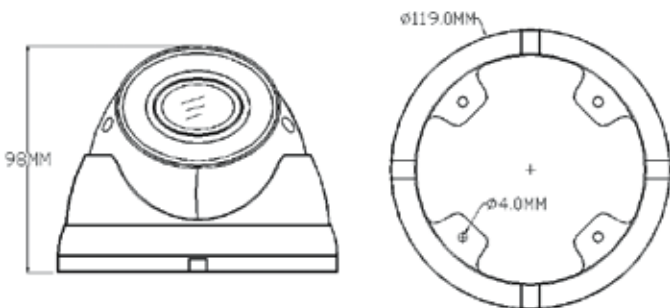
Day & Night Vandal proof dome with 3 axis gimble function



Key Features:

- 1/3" SONY CCD
- Resolution: PAL: 752(H) x 582(V)
NTSC: 768(H) x 494(V)
- Resolution 480TVL
- Low illumination 0Lux
- IR LEDs: 36 IR LEDs, IR distance :10-30m
- Power supply DC12V

Dimension



MODEL	VV-VIR-DN-49
Image Sensor	1/3" SONY CCD
Effective Pixels	NTSC: 768(H) x 494(V) PAL: 752(H) x 582(V)
Synchronizing System	Internal
Scanning System	NTSC 525 Lines PAL 625 Lines 2:1 Interlaced
Resolution	More than 480TVL
Video Output	1.0Vp-p Composite. 75 Ohms
S/N Ratio	More than 48dB
Low Illumination	0 Lux (IR LED ON)
Back Light Compensation	ON/OFF switchable
Electronic Shutter	1/50 (1/60) ~ 1/1000000 sec
Gamma correction	Standard r=0.45
White balance	Auto
Sensing Size	4.9mm x 3.7mm
AGC	Auto
Power Source	DC12V
Operating Current	150mA / 500mA(IR ON)
Lens	4-9 / 3-9mm
IR LEDs	36 IR LEDs
IR Distance	10 ~ 30m
Operating Temperature	-10° C ~ +50° C
Humidity	Within 90% RH
Measurement (mm)	See opposite

specification subject to change without notice