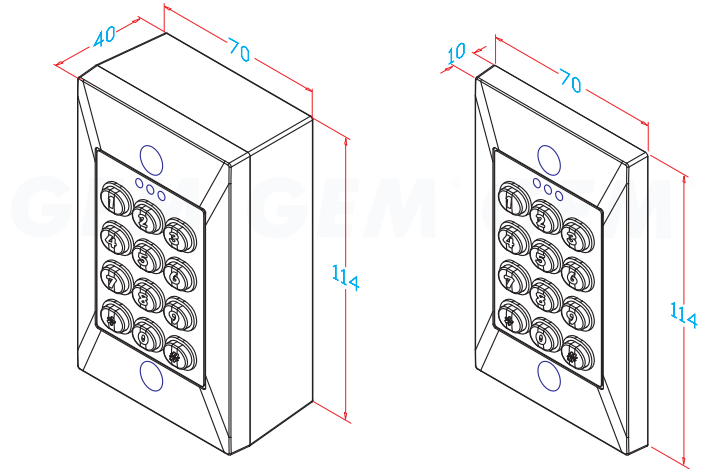




DG-101-WI

DG-101-BA



Unit: mm

● Features

- Backlight Keypad
- ABS casing
- Allows up to 49+50 PINs
- Dual relays output for multi-control
- Door Reed Switch Input for Anti-Tailgating
- Fully Programmable via keypad and master code
- 3 LED display with audible indication
- Non-Volatile memory invalid PIN lock-out
- With vandal resistant screws

● Statement

The **DG-101** is a dual relay digital code-operated for access control keypad with up to 49+50 individual user PINs, user access PINs ensure that all functions controlled to authorized persons only. The door reed switch Input is used to time out the timer when door is moved for Anti-Trailing. It's designed to mount on any standard-single-gang electric wall box or on the surface of an interior wall.

Logical memory can prevent unauthorized persons from gaining PIN code entry by trial and error, The system will shut down for 60 seconds while 32 codes of incorrectly Master Codes enrolled or PIN codes attempted (None beeper signal of keypad activations)

● Specifications

- Operating Voltage: 12~24 VDC
- Current Draw: Holding: 15mA/12VDC
Pull in: 60mA/12VDC
- Input: request-to-exit, time out reed switch contact
- Output: Dual relays, N.O./N.C./Com. Output (Dry contact)
- Relay Rating: 3A/125VAC ; 3A/12VDC
- Relay Strike Time:
1~99 seconds or toggle mode
- Memory Volume: 49+50 PINs
Relay 1 is controlled by user 001~049
Relay 2 is controlled by user 050~099
- PIN codes: 5 digit codes only
- Operating Temperature: -20~+70 C
- Ambient Humidity: 5~95% relative humidity non-condensing
- Master Code: Default Value 12345
- In toggle mode, the relay will switch between N.C. contact and N.O. contact upon enter PIN once.
- Net Weight : 240 g
- Color: White / Black



SMB-101-WI
SMB-101-BA

Surface mounting Installation:
SMB-101-WI SMB-101-BA ABS casing is optional for surface mount.

● Warranty

The product is warranted against defects in material and workmanship while used in normal service for a period of 1 year from the date of sale to the original client. The GEM policy is one of continual development and improvement; therefore GEM reserves the right to change specifications without notice.

GIANNI INDUSTRIES, INC.