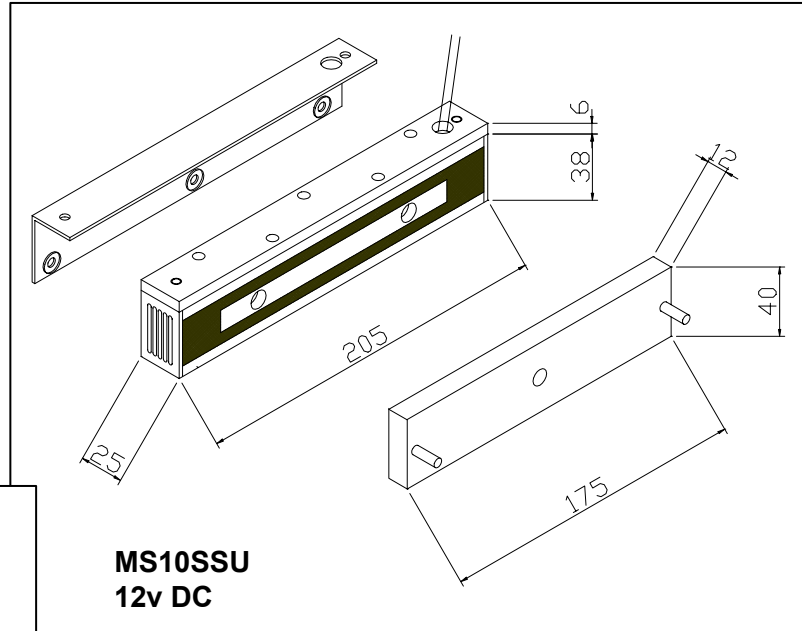


# MS10 Mini Magnet



**Order Code: MS10 SSU**

- Up to 300Kg hold force
- Small dimensions without compromising power
- Side or Face Fixing
- 12v DC 0.5A

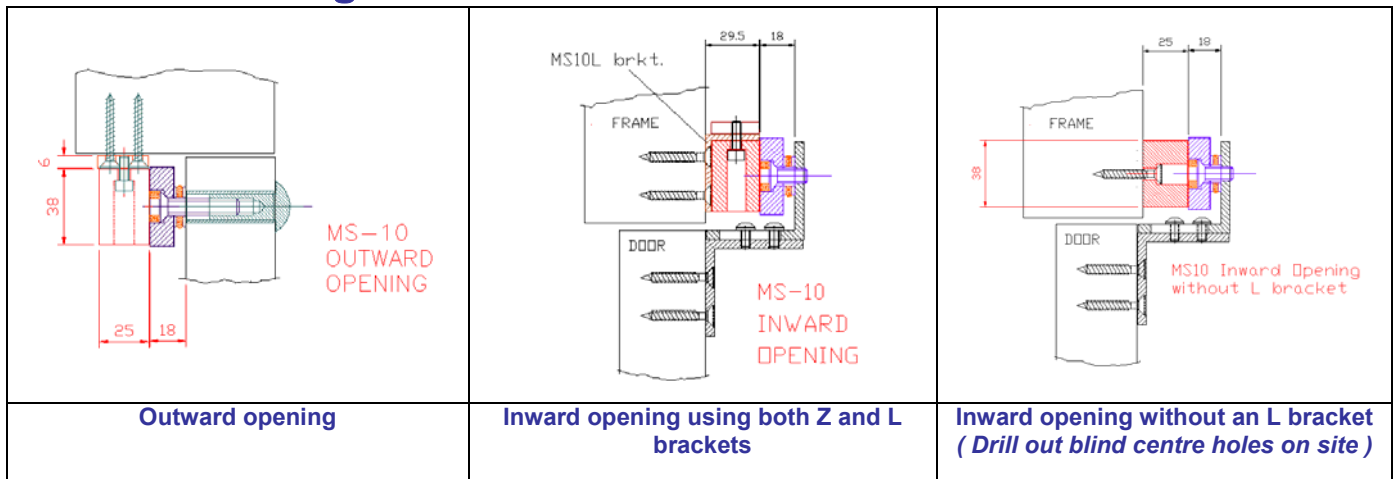


- Available in these following options:

- Double
- Surface
- Flush
- Monitored
- Door status

- Small dimensions made possible as the magnet has no external housing

## Installation Diagrams



## Accessories - Please note, all accessories are sold separately

Accessory	Order Code
L Bracket	MS10L
Z Bracket	MS10/15/20Z
Z Bracket Cover	MS10/15/20ZC
Armature housings (surface, bevelled edge, flush)	MS10/15/20 AMPTL, ARHSG, AFHSG